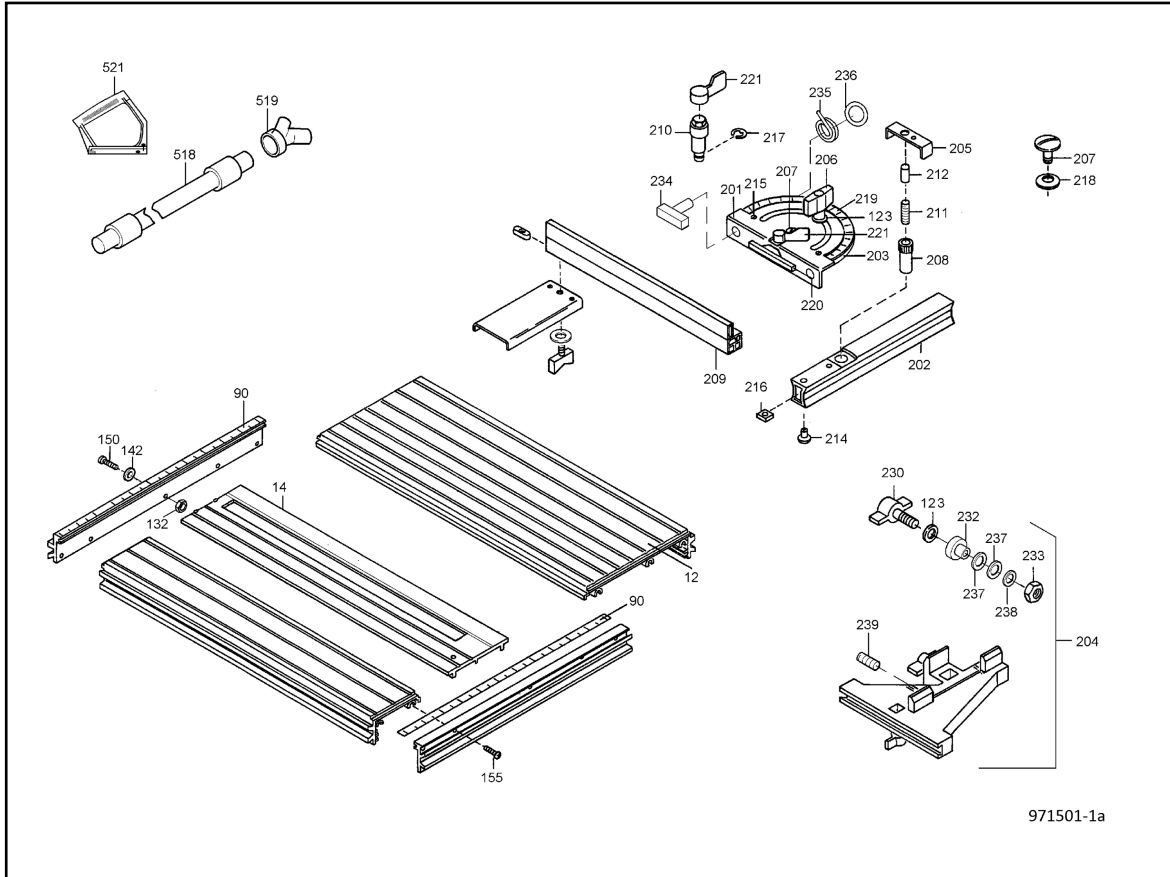
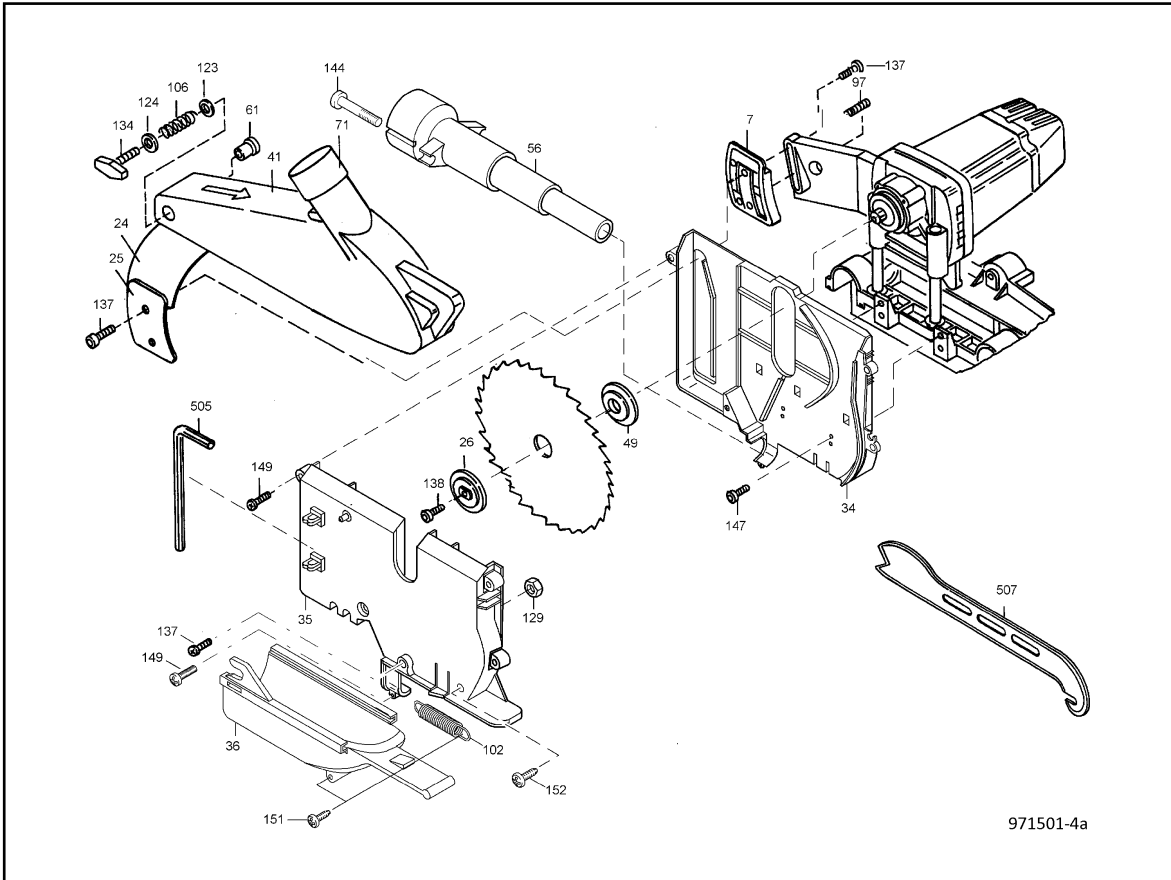
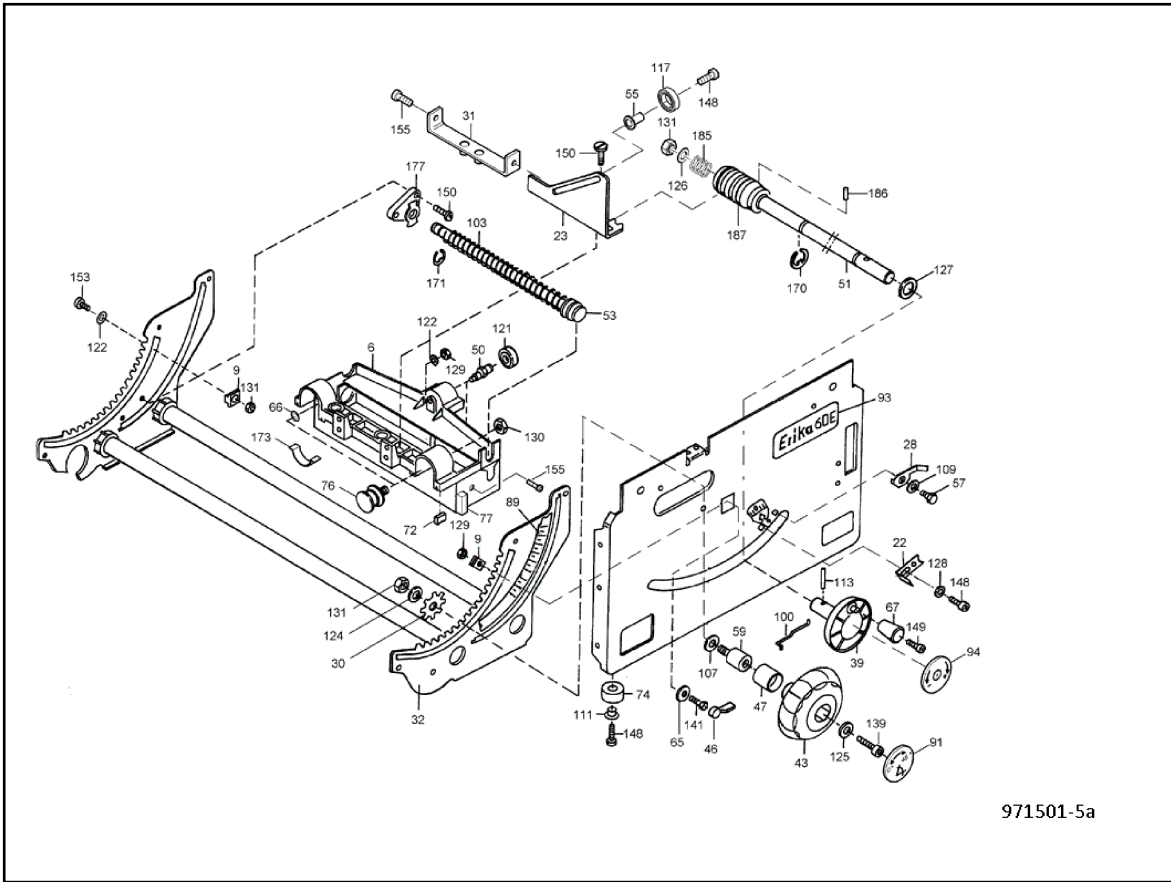


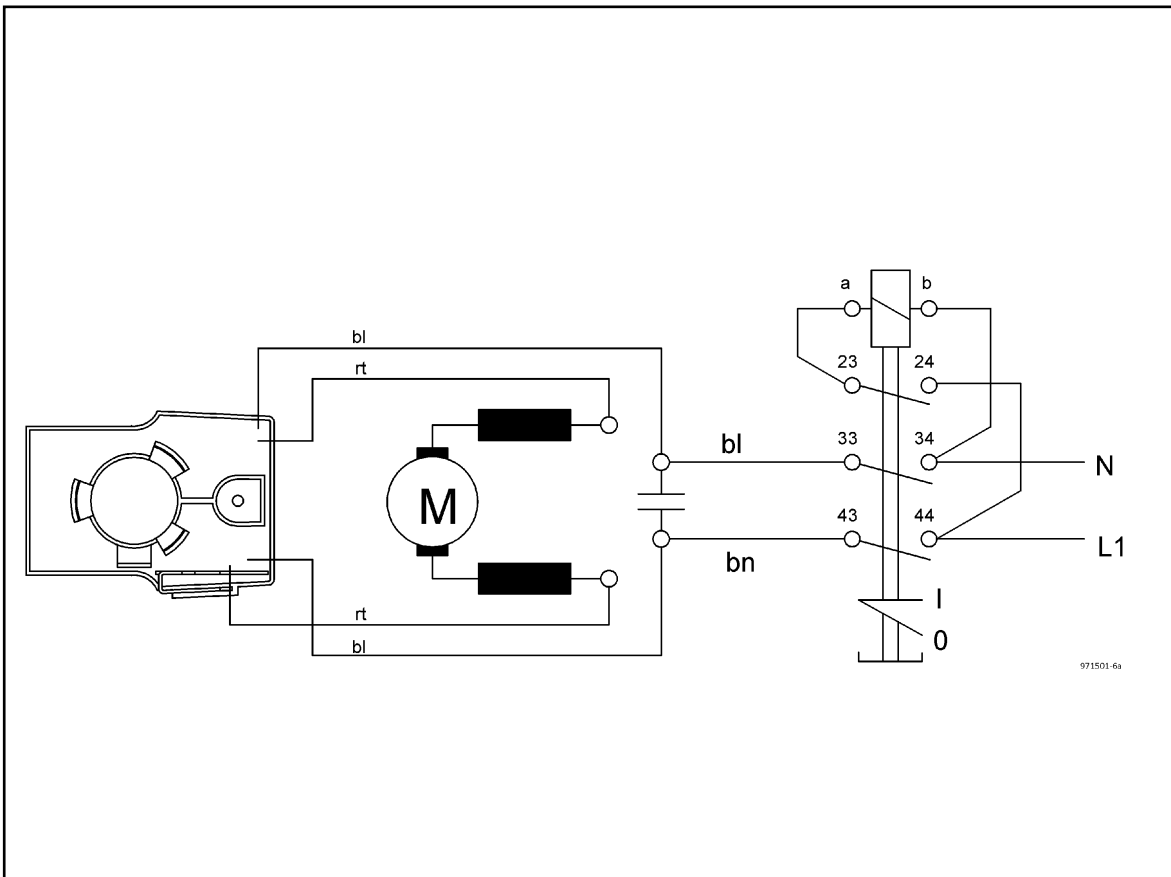
Pull-Push Saw ERIKA 60 E







971501-5a



971501-6a

hotspot	spare part number	EAN	name of spare part	count	Preis-schlüssel
1	084544	4032689153919		1	32
2	088122	4032689003351	Armature, balanced	1	37
4	202045	4032689133775	Motor casing, empty	1	21
5	202811	4032689039534	Gear casing	1	34
6	200885	4032689106403	Carriage	1	34
7	200888	4032689118970	Intermediate piece	1	17
9	201280	4032689036632	Sliding block	5	5
12	200926	4032689099811	Table top	1	42
14	203128	4032689153889		1	28
19	203017	4032689128351	Front plate	1	24
20	203004	4032689128245	Rear plate	1	24
21	203016	4032689128344	Side plate	2	23
22	201863	4032689072937	Locking bar	1	6
23	202995	4032689128252	Adjustable sheet metal	1	11
24	201848	4032689090313	Riving knife/splitter	1	17
25	200911	4032689091334	Clamping metal sheet	1	9
26	200912	4032689031385	Flange, front	1	6
27	200931	4032689107844	Sheet metal angle	1	5
28	200936	4032689107738	Fence with straight angle	1	5
30	035369	4032689073316	Pinion	1	6
31	202994	4032689128269	Cover	1	9
32	203129	4032689129365	Cradle, cpl.	1	33
34	202999	4032689128283	Protective cover	1	20
35	203000	4032689128290	Saw guard cover	1	19
36	203001	4032689128306	Protective sliding cover	1	11
37	200915	4032689051031	Terminal box	1	8
38	200916	4032689051079	Terminal box lid	1	8
39	200908	4032689044699	Handwheel	1	9
40	200918	4032689059822	Air conducting ring	1	9
41	200922	4032689084923	Protective cover	1	16
42	039221	4032689063034	Motor cover	1	11
43	038970	4032689044668	Handle	1	7
44	200015	4032689059488	Fan	1	7
46	039413	4032689091938	Tensioning lever	1	5

hotspot	spare part number	EAN	name of spare part	count	Preis-schlüssel
47	201167	4032689000220	Covering sleeve	1	5
48	200919	4032689076218	Saw shaft, cpl.	1	32
49	200920	4032689030876	Flange, rear	1	16
50	200921	4032689027357	Eccentric bolt	4	13
51	201836	4032689118376	Pull rod	1	20
52	200883	4032689038636	Gear casing cover	1	15
53	201299	4032689097596	Shock absorber	1	24
54	200924	4032689047409	Index bolt	1	7
55	202993	4032689128313	Bush	1	5
56	203002	4032689128320	Telescopic tube, in three parts	1	20
57	200940	4032689005164	Shoulder screw	1	9
58	201159	4032689019802	Spacer ring	1	6
59	201165	4032689004587	Shoulder bolt	1	12
61	201049	4032689036830	Guide piece	1	12
65	039512	4032689079509	Washer	1	3
66	201318	4032689079035	Washer	1	6
67	076101	4032689048574	Conical handle	1	3
68	038975	4032689098470	Tachometer carrier	1	14
69	076813	4032689072777	Control module	1	32
71	076430	4032689074825	Round cap	1	4
72	201160	4032689001661	Skimmer	6	2
74	034675	4032689043104	Rubber buffer	4	3
76	200935	4032689025681	Setting roller	2	21
77	035686	4032689006017	Stop buffer	1	1
82	087626	4032689051185	Clamping strip	1	3
84	087765	4032689077673		1	30
85	203142	4032689129402	Covering frame	1	9
86	029584	4032689048031	Cable clamp	1	2
87	063160	4032689132631	Brush holder	2	7
88	063164	4032689132709	Carbon brush with automatic cut-off	2	11
89	077064	4032689108018	Angle scale	1	8
90	077065	4032689089461	Skale	2	7
91	202673	4032689126401	Angle	1	4

hotspot	spare part number	EAN	name of spare part	count	Preis-schlüssel
92	203132	4032689129150	Sticker	2	4
93	203005	4032689128337	Sticker	1	4
94	203127	4032689129143	Height (Label)	1	3
97	005289	4032689022406	Pressure bit, spring-loaded	1	7
98	202807	4032689035178	Guide column	2	13
100	200925	4032689028415	Spring	1	6
101	039833	4032689043661	Retaining spring	1	7
102	035026	4032689118253	Retracting spring II	1	3
103	066088	4032689118048	Retracting spring	1	8
105	066043	4032689021393	Pressure spring	1	2
106	066082	4032689021614	Pressure spring	1	3
107	006692	4032689098708	Cup spring	1	1
109	006660	4032689098661	Cup spring	1	2
111	201018	4032689073835	Tubular rivet	4	1
113	005808	4032689093024	Spring dowel sleeve	1	1
115	061150	4032689002149	Arbor clamping cap	1	1
117	062010	4032689053608	Grooved ball bearing	1	16
118	062061	4032689053486	Grooved ball bearing	1	14
119	006282	4032689053615	Grooved ball bearing	2	16
120	006280	4032689053417	Grooved ball bearing	1	17
121	006296	4032689053868	Grooved ball bearing	4	14
122	006113	4032689088709	Locking washer	4	1
123	006101	4032689079219	Washer	4	1
124	061044	4032689079080	Washer	2	1
125	061134	4032689079028	Washer	1	1
126	007153	4032689078977	Washer	1	3
127	061152	4032689067193	Shim ring	3	1
128	006100	4032689078946	Washer	3	1
129	005939	4032689113852	Hexagonal nut	6	1
130	005920	4032689113722	Hexagonal nut	2	1
131	005979	4032689115238	Locking nut	6	1
132	005999	4032689115290	Locking nut	2	1
134	079028	4032689031699	Wing screw	1	5
136	005505	4032689119595	Cylinder-head screw	1	1

hotspot	spare part number	EAN	name of spare part	count	Preis-schlüssel
137	005536	4032689120003	Cylinder-head screw	5	1
138	055197	4032689120058	Cylinder-head screw	1	2
139	005501	4032689120478	Cylinder-head screw	1	1
140	053007	4032689088303	Flat-head screw	2	1
141	202258	4032689005195	Shoulder screw	1	6
142	006179	4032689088693	Locking washer	2	1
144	055153	4032689058405	Cylindrical oval-head screw	2	1
145	055086	4032689058481	Cylindrical oval-head screw	4	1
146	055152	4032689058665	Oval-head screw	4	1
147	055137	4032689058399	Cylindrical oval-head screw	6	1
148	055188	4032689058245	Cylindrical oval-head screw	5	1
149	055061	4032689058313	Cylindrical oval-head screw	6	1
150	055079	4032689058337	Cylindrical oval-head screw	29	1
151	055240	4032689125138	Self-tapping screw	1	1
152	055058	4032689058078	Self-tapping oval-head screw	3	1
153	055127	4032689058603	Oval-head screw	3	1
155	055157	4032689058054	Self-tapping oval-head screw	14	1
156	055194	4032689058269	Cylindrical oval-head screw	2	1
157	055233	4032689058320	Cylindrical oval-head screw	2	1
170	061149	4032689088747	Locking washer	1	1
171	061135	4032689088761	Locking washer	2	1
173	201334	4032689001630	Skimmer	3	4
177	200887	4032689028347	Spring support	1	7
185	066117	4032689021812	Pressure spring	1	3
186	202808	4032689015439	Bolt	1	4
187	201820	4032689045931	Height adjustment spindle	1	21
201	202884	4032689126623	Stop plate	1	16
202	200945	4032689036533	Guide bar	1	22
203	038262	4032689098593	Index plate	1	13
204	200943	4032689094984	Clamping fence support, cpl.	1	26
205	038266	4032689080017	Sliding cover	1	7
206	079062	4032689031804	Wing screw	1	5
207	200948	4032689005171	Shoulder screw	1	12
208	038261	4032689033945	Guide bolt	1	10

hotspot	spare part number	EAN	name of spare part	count	Preis-schlüssel
209	200929	4032689006536	Guide fence extension	1	18
210	200946	4032689027487	Eccentric arbor	1	12
211	066051	4032689021409	Pressure spring	1	2
212	038264	4032689047423	Index pin	1	2
214	038260	4032689000343	Mushroom-shaped covering piece	1	1
215	055162	4032689058412	Cylindrical oval-head screw	2	1
216	005953	4032689113487	Square nut	1	1
217	061075	4032689002163	Arbor clamping ring	1	1
218	006692	4032689098708	Cup spring	1	1
219	077533	4032689108049	Angle scale	1	9
220	200947	4032689117959	Traction element	1	6
221	039413	4032689091938	Tensioning lever	1	5
230	079063	4032689031811	Wing screw	2	5
232	201330	4032689019529	Spacer sleeve	2	4
233	005998	4032689113982	Hexagonal nut	2	2
234	202596	4032689065953	Sliding block	2	3
235	066109	4032689020747	Torsion spring	2	2
236	061181	4032689153896	Arbor clamping ring	2	1
237	006665	4032689098678	Cup spring	2	2
238	006660	4032689098661	Cup spring	4	2
239	005284	4032689039947	Threaded pin	1	2
505	093034	4032689115115	Allen key	1	2
507	034901	4032689080192	Push stick	1	11
518	093639	4032689001005	Extraction hose + 2 connectors	1	99
519	202698	4032689126586	Branch pipe	1	14
521	201788	4032689079998	Push block handle, cpl.	1	22

contact

MAFELL AG

Beffendorfer Straße 4
D-78727 Oberndorf / Neckar
Germany

Tel.: +49 7423 / 812-114
Fax: +49 7423 812-102
Email: export@mafell.de