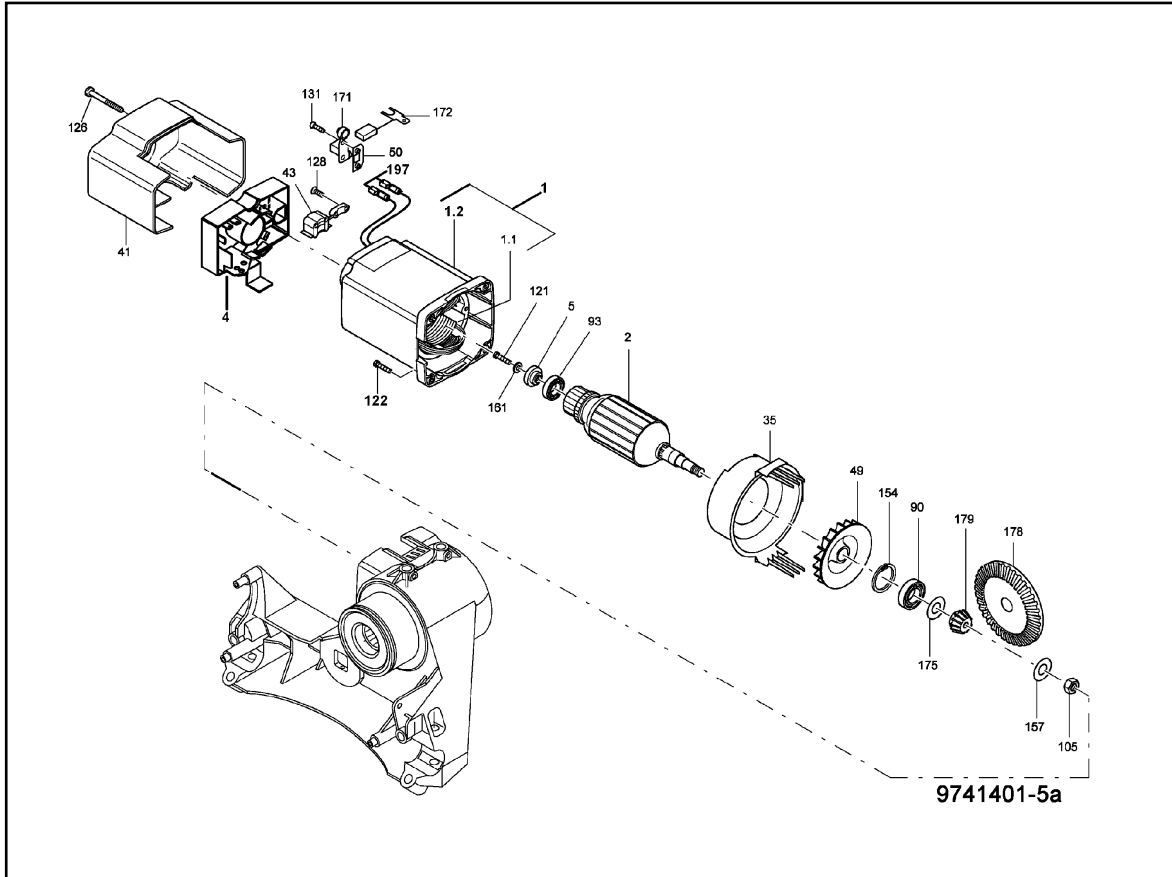
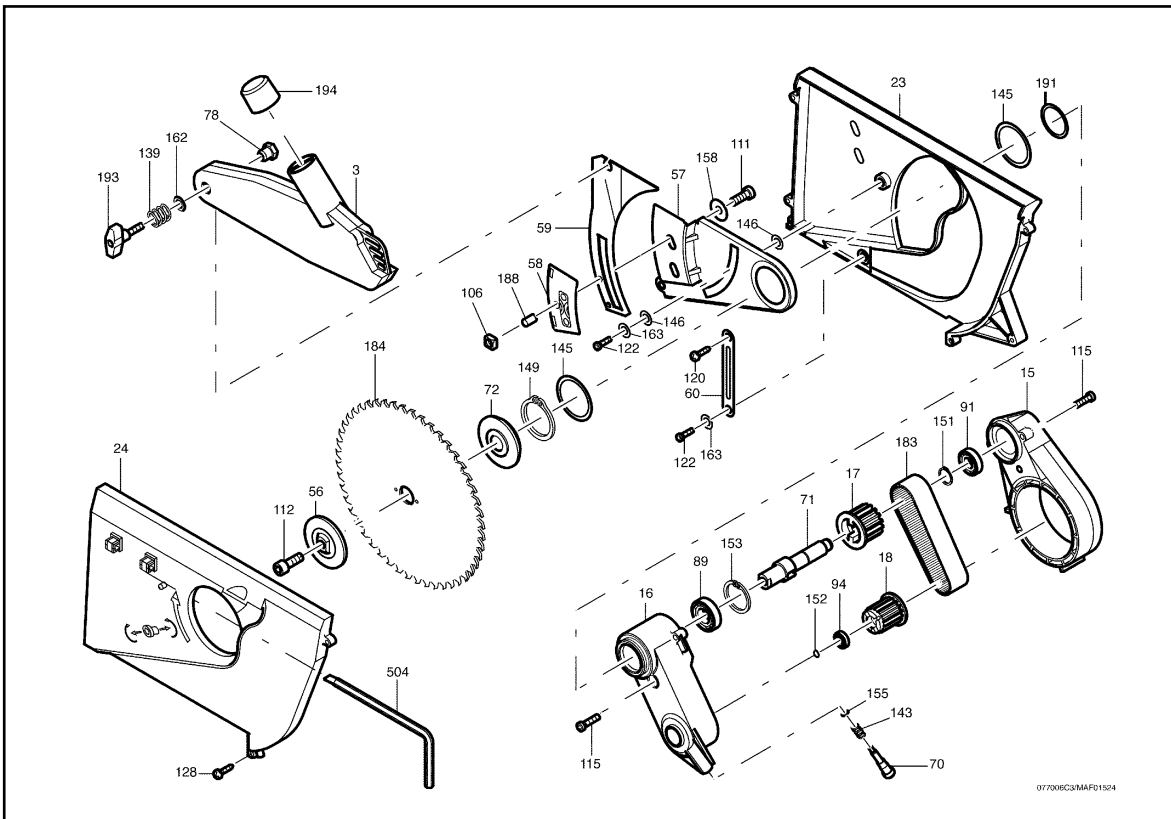
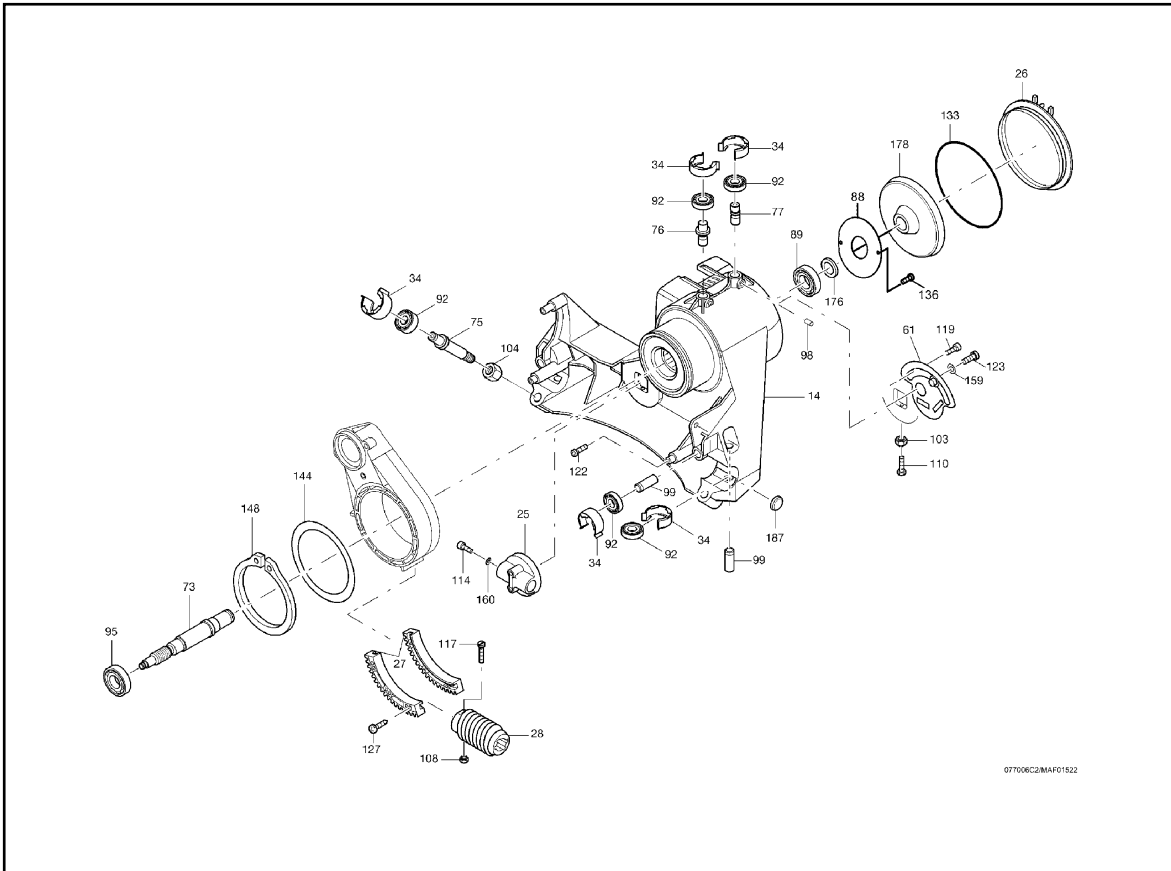
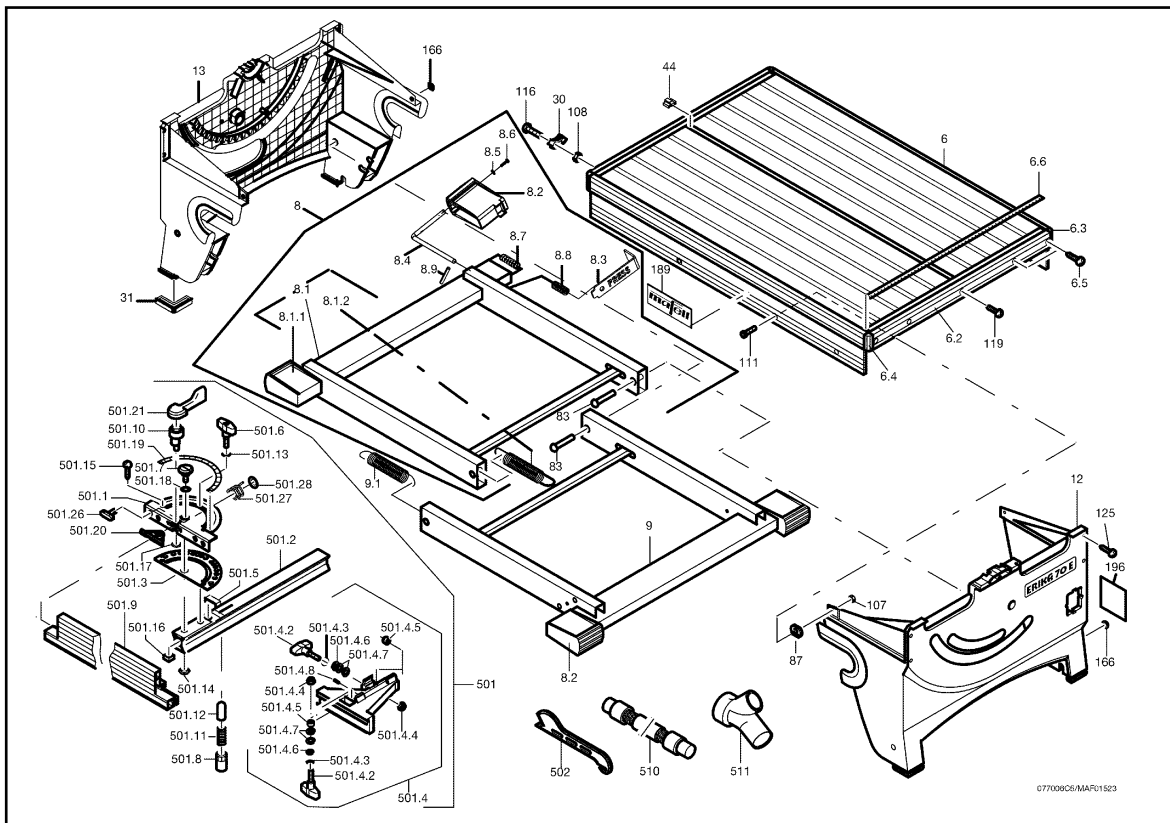
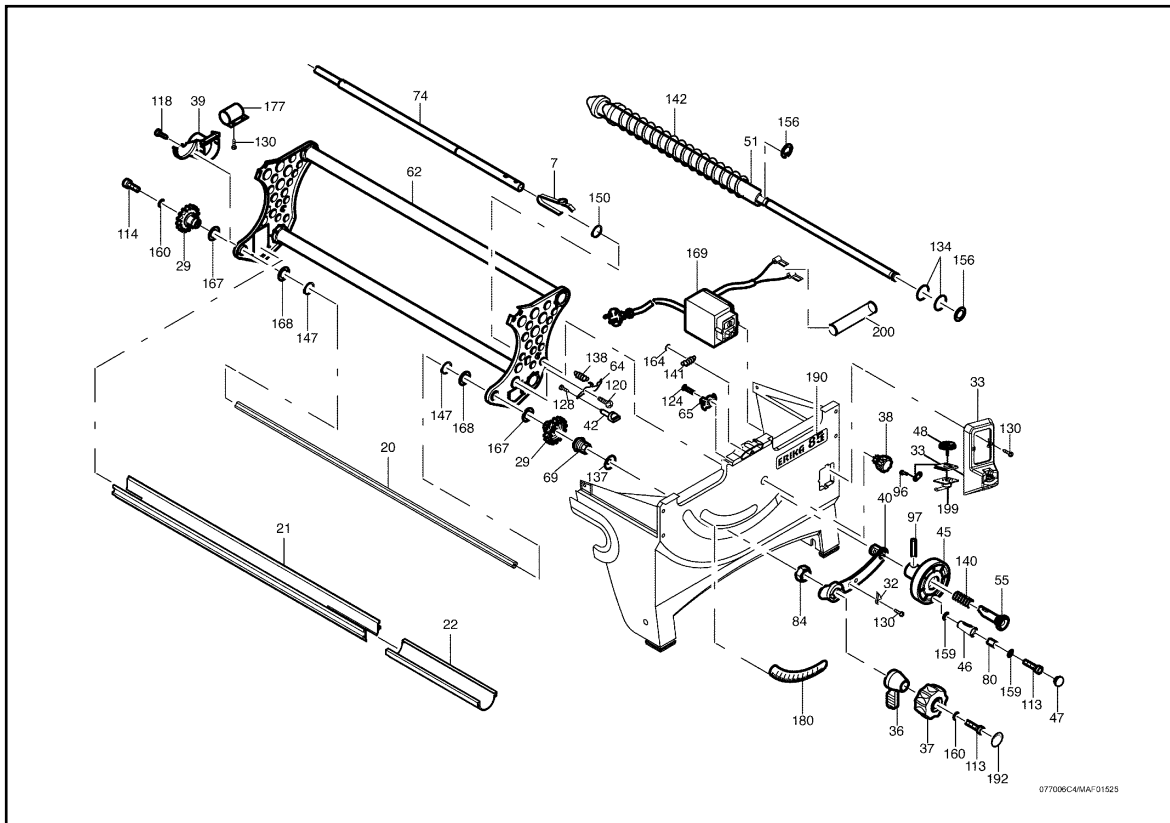


## Pull-Push Saw ERIKA 70 E up to machine no. 859208







hotspot	spare part number	EAN	name of spare part	count	Preis-schlüssel
---------	-------------------	-----	--------------------	-------	-----------------

hotspot	spare part number	EAN	name of spare part	count	Preis-schlüssel
1	084598	4032689160320	Motor casing with inductor 230 V	1	40
1.1	084623	4032689161679	Inductor 230 V	1	36
1.2	203810	4032689146522	Motor casing, empty	1	26
2	088193	4032689160245	Armature	1	41
3	202880	4032689126609	Protective cover	1	18
4	077130	4032689159577	Control module	1	31
5	038975	4032689098470	Tachometer carrier	1	14
6	202663	4032689126319	Table	1	52
6.2	202662	4032689126302	Front ledge	2	19
6.3	202653	4032689126265	Edge protection, right	2	5
6.4	202652	4032689126258	Edge protection, left	2	5
6.5	055157	4032689058054	Self-tapping oval-head screw	8	1
6.6	202687	4032689126500	Skale	2	8
7	039803	4032689070087	Click-in bracket	1	17
8	202655	4032689125855	Tubular frame, front	1	38
8.1	204547	4032689159935		1	98
8.1.1	203572	4032689145433	Supporting leg	3	10
8.1.2	066138	4032689127019	Retracting spring	1	7
8.2	204542	4032689159973	Leg	1	14
8.3	204540	4032689159959	Pedal	1	13
8.4	204663	4032689166162	Arbor	1	10
8.5	006100	4032689078946	Washer	1	1
8.6	055114	4032689058559	Oval-head screw	1	1
8.7	006621	4032689162140	Pressure spring	1	3
8.8	006622	4032689162157	Pressure spring	1	3
8.9	204665	4032689166179	Plunger	1	14
9	202656	4032689125862	Tubular frame, rear	1	35
9.1	066137	4032689127002	Retracting spring	1	8
12	202644	4032689126203	Front plate	1	47
13	202645	4032689126210	Rear plate	1	47
14	202626	4032689126081	Gear casing	1	48
15	202612	4032689125978	Height adjustment casing	1	28
16	202609	4032689125954	Bearing cover	1	28
17	202614	4032689125985	Belt disk	1	22

hotspot	spare part number	EAN	name of spare part	count	Preis-schlüssel
18	202616	4032689125992	Belt disk	1	22
20	202657	4032689125640	Tilting rod	1	11
21	202649	4032689126241	Gutter	1	20
22	202650	4032689125619	Plastic profile for slide bar	1	11
23	202635	4032689125596	Protective cover	1	22
24	202636	4032689125602	Saw guard cover	1	22
25	202625	4032689126074	Nut	1	10
26	202634	4032689126135	Gear casing cover	1	10
27	202637	4032689126142	Toothed segment	2	6
28	202639	4032689126166	Worm gear	1	11
29	202647	4032689126227	Roue dentée	2	7
30	202648	4032689126234	Sliding bar	2	4
31	202654	4032689125633	Rubber foot	4	3
32	202658	4032689126272	Indicator	1	3
33	204280	4032689161457	Covering frame	1	10
34	202666	4032689126333	Skimmer	8	4
35	202667	4032689126340	Air conducting ring	1	10
36	202671	4032689126388	Clamping lever	1	8
37	202672	4032689126395	Handle	1	7
38	202675	4032689126425	Knob	1	8
39	202678	4032689126449	Hose connector	1	11
40	202679	4032689126456	Panel	1	10
41	204548	4032689161419	Motor cover	1	15
42	202691	4032689126524	Click-in button	1	5
43	202693	4032689126531	Plug-in unit	1	6
44	202694	4032689126548	Cover	2	3
45	202699	4032689126593	Handwheel	1	12
46	202674	4032689126418	Conical handle	1	5
47	202676	4032689126432	Cap	1	3
48	204278	4032689153179	Setting wheel	1	6
49	204552	4032689160474	Fan	1	21
50	201872	4032689102412	Pad	2	2
51	202660	4032689128405	Shock absorber	1	25
55	039780	4032689022536	Push-button	1	7

hotspot	spare part number	EAN	name of spare part	count	Preis-schlüssel
56	202620	4032689126029	Flange, front	1	17
57	202621	4032689126036	Riving knife/splitter support	1	18
58	202622	4032689126043	Clamping metal sheet	1	8
59	202623	4032689126050	Riving knife/splitter	1	19
60	202624	4032689126067	Strut	1	3
61	202608	4032689127460	Eccentric disk	1	5
62	202677	4032689126487	Cradle	1	39
64	202659	4032689126289	Click-in metal sheet	1	5
65	202661	4032689126296	Metal sheet stop	1	5
69	202605	4032689125947	Clamping sleeve	1	14
70	203268	4032689134925	Locking bolt	1	11
71	202618	4032689126005	Saw shaft	1	19
72	202619	4032689126012	Flange, rear	1	16
73	202629	4032689126104	Gear shaft	1	21
74	202638	4032689126159	Pull rod	1	24
75	202668	4032689126357	Setting arbor	2	11
76	202669	4032689126364	Bearing bolt	1	10
77	202670	4032689126371	Eccentric bolt	1	10
78	201049	4032689036830	Guide piece	1	12
80	039800	4032689019161	Spacer bushing	1	5
83	058196	4032689126999	Tubular rivet	4	2
84	202640	4032689126173	Nut	1	9
87	203797	4032689146256	Sliding bar	4	5
88	204608	4032689161488	Covering plate	1	5
89	006231	4032689053493	Grooved ball bearing	2	18
90	006269	4032689053721	Grooved ball bearing	1	17
91	006280	4032689053417	Grooved ball bearing	1	17
92	062082	4032689053400	Grooved ball bearing	8	15
93	062073	4032689053905	Grooved ball bearing	1	15
94	062010	4032689053608	Grooved ball bearing	1	16
95	006260	4032689053769	Grooved ball bearing	1	18
96	055146	4032689119366	Cylinder-head screw	2	1
97	058116	4032689092973	Spring dowel sleeve	1	1
98	005284	4032689039947	Threaded pin	2	2

hotspot	spare part number	EAN	name of spare part	count	Preis-schlüssel
99	058198	4032689129969	cylindrical pin	4	3
103	005915	4032689113814	Hexagonal nut	1	1
104	005966	4032689113920	Hexagonal nut	2	2
105	059008	4032689114224	Hexagonal nut	1	2
106	005972	4032689113449	Square nut	2	1
107	005982	4032689115245	Locking nut	4	1
108	005999	4032689115290	Locking nut	5	1
110	005680	4032689114699	Hexagon-head screw	1	2
111	055172	4032689120355	Cylinder-head screw	6	2
112	055241	4032689125916	Cylinder-head screw	1	3
113	055013	4032689120201	Cylinder-head screw	2	2
114	055059	4032689120010	Cylinder-head screw	2	1
115	005578	4032689119854	Cylinder-head screw	3	1
116	005671	4032689114644	Hexagon-head screw	4	1
117	055138	4032689119861	Cylinder-head screw	1	1
118	055187	4032689058238	Cylindrical oval-head screw	3	1
119	055079	4032689058337	Cylindrical oval-head screw	3	1
120	055162	4032689058412	Cylindrical oval-head screw	2	1
121	055108	4032689119267	Cylinder-head screw	1	1
122	055230	4032689082226	Self-tapping screw	7	1
123	055174	4032689119373	Cylinder-head screw	1	2
124	055223	4032689087856	Flat-head screw	1	2
125	055157	4032689058054	Self-tapping oval-head screw	8	1
126	055124	4032689058030	Self-tapping oval-head screw	2	1
127	055139	4032689058252	Cylindrical oval-head screw	3	1
128	055061	4032689058313	Cylindrical oval-head screw	7	1
130	055233	4032689058320	Cylindrical oval-head screw	5	1
131	053020	4032689058146	Counter-sunk oval-head screw	4	1
133	065043	4032689125732	Sealing ring	1	3
134	065015	4032689066639	Sealing ring	2	1
136	055232	4032689082233	Self-tapping screw	2	1
137	006662	4032689127729	Cup spring	1	4
138	066136	4032689124490	Retracting spring	1	3
139	066096	4032689021652	Pressure spring	1	4

hotspot	spare part number	EAN	name of spare part	count	Preis-schlüssel
140	066084	4032689021461	Pressure spring	1	3
141	066092	4032689118260	Retracting spring	1	4
142	066139	4032689127637	Retracting spring	1	6
143	066043	4032689021393	Pressure spring	1	2
144	061170	4032689125688	Shim ring	1	5
145	061067	4032689067414	Shim ring	2	1
146	061050	4032689067544	Shim ring	2	1
147	071001	4032689089256	Retaining ring	2	1
148	061171	4032689125695	Retaining ring	1	4
149	061068	4032689089126	Retaining ring	1	3
150	061123	4032689089164	Retaining ring	1	2
151	006194	4032689088938	Retaining ring	1	1
152	007102	4032689088976	Retaining ring	1	1
153	007141	4032689089003	Retaining ring	1	2
154	007161	4032689089294	Retaining ring	1	1
155	061106	4032689088686	Locking washer	1	1
156	061135	4032689088761	Locking washer	2	1
157	006114	4032689088716	Locking washer	1	1
158	061038	4032689079240	Washer	2	1
159	006101	4032689079219	Washer	3	1
160	061172	4032689125701	Washer	3	1
161	006184	4032689088679	Locking washer	1	1
162	061044	4032689079080	Washer	1	1
163	061013	4032689079073	Washer	2	1
164	061069	4032689093697	Locking washer	1	1
166	061059	4032689002125	Arbor clamping cap	4	1
167	061173	4032689125718	Compensating disk	2	2
168	061174	4032689125725	Supporting disk	2	2
169	087847	4032689139722	Switch	1	29
171	063157	4032689017013	Brush holder	2	12
172	063180	4032689160030	Carbon brush with automatic cut-off	2	13
175	061176	4032689130019	Shim ring	1	1
176	061175	4032689130002	Shim ring	1	1



hotspot	spare part number	EAN	name of spare part	count	Preis-schlüssel
177	202606	4032689126128	Rolled spring	1	10
178	202630	4032689125572	Bevel wheel	1	29
179	202631	4032689125589	Pinion	1	20
180	202680	4032689126463	Angle scale	1	8
183	077002	4032689125503	Toothed belt	1	15
184	092460	4032689126746	TCT saw blade	1	99
187	076322	4032689025919	Elastic buffer	1	2
188	052009	4032689125671	Pressure bit, spring-loaded	1	5
189	202696	4032689126562	Sticker	2	5
190	202697	4032689126579	Sticker	1	6
191	061180	4032689140193	Shim ring	1	2
192	202673	4032689126401	Angle	1	4
193	079062	4032689031804	Wing screw	1	5
194	076430	4032689074825	Round cap	1	4
196	202692	4032689128412	Speed diagram	1	5
197	085133	4032689103372	Connecting cable	2	3
199	204281	4032689161037	Speed regulator	1	14
200	204611	4032689161464	Protective tube	1	12
501	201611	4032689102313	Universal guide fence	1	99
501.1	202884	4032689126623	Stop plate	1	16
501.2	038259	4032689036335	Guide bar	1	24
501.3	038262	4032689098593	Index plate	1	13
501.4	203277	4032689135465	Clamping fence support, cpl.	1	28
501.4.2	079063	4032689031811	Wing screw	2	5
501.4.3	006101	4032689079219	Washer	2	1
501.4.4	005998	4032689113982	Hexagonal nut	2	2
501.4.5	201330	4032689019529	Spacer sleeve	2	4
501.4.6	006665	4032689098678	Cup spring	2	2
501.4.7	006660	4032689098661	Cup spring	4	2
501.4.8	005284	4032689039947	Threaded pin	1	2
501.5	038266	4032689080017	Sliding cover	1	7
501.6	079062	4032689031804	Wing screw	1	5
501.7	200948	4032689005171	Shoulder screw	1	12
501.8	038261	4032689033945	Guide bolt	1	10

hotspot	spare part number	EAN	name of spare part	count	Preis-schlüssel
501.9	200878	4032689006529	Guide fence extension	1	22
501.10	200946	4032689027487	Eccentric arbor	1	12
501.11	066051	4032689021409	Pressure spring	1	2
501.12	038264	4032689047423	Index pin	1	2
501.13	006101	4032689079219	Washer	1	1
501.14	038260	4032689000343	Mushroom-shaped covering piece	1	1
501.15	055162	4032689058412	Cylindrical oval-head screw	2	1
501.16	005953	4032689113487	Square nut	1	1
501.17	061075	4032689002163	Arbor clamping ring	1	1
501.18	006692	4032689098708	Cup spring	1	1
501.19	077533	4032689108049	Angle scale	1	9
501.20	200947	4032689117959	Traction element	1	6
501.21	039413	4032689091938	Tensioning lever	1	5
501.26	202596	4032689065953	Sliding block	2	3
501.27	066109	4032689020747	Torsion spring	2	2
501.28	061181	4032689153896	Arbor clamping ring	2	1
502	034901	4032689080192	Push stick	1	11
504	093081	4032689115160	Allen key	1	2
510	093639	4032689001005	Extraction hose + 2 connectors	1	99
511	202698	4032689126586	Branch pipe	1	14

## contact

---

MAFELL AG

Beffendorfer Straße 4  
D-78727 Oberndorf / Neckar  
Germany

Tel.: +49 7423 / 812-114  
Fax: +49 7423 812-102  
Email: [export@mafell.de](mailto:export@mafell.de)