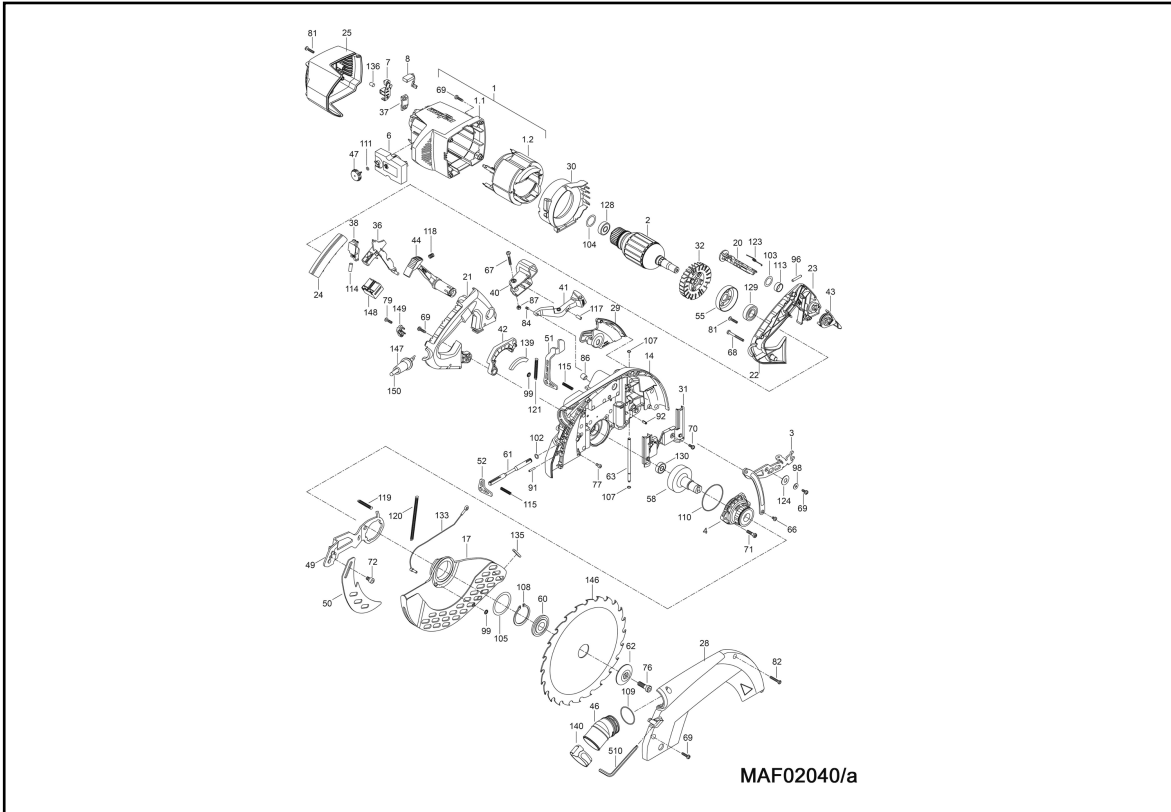
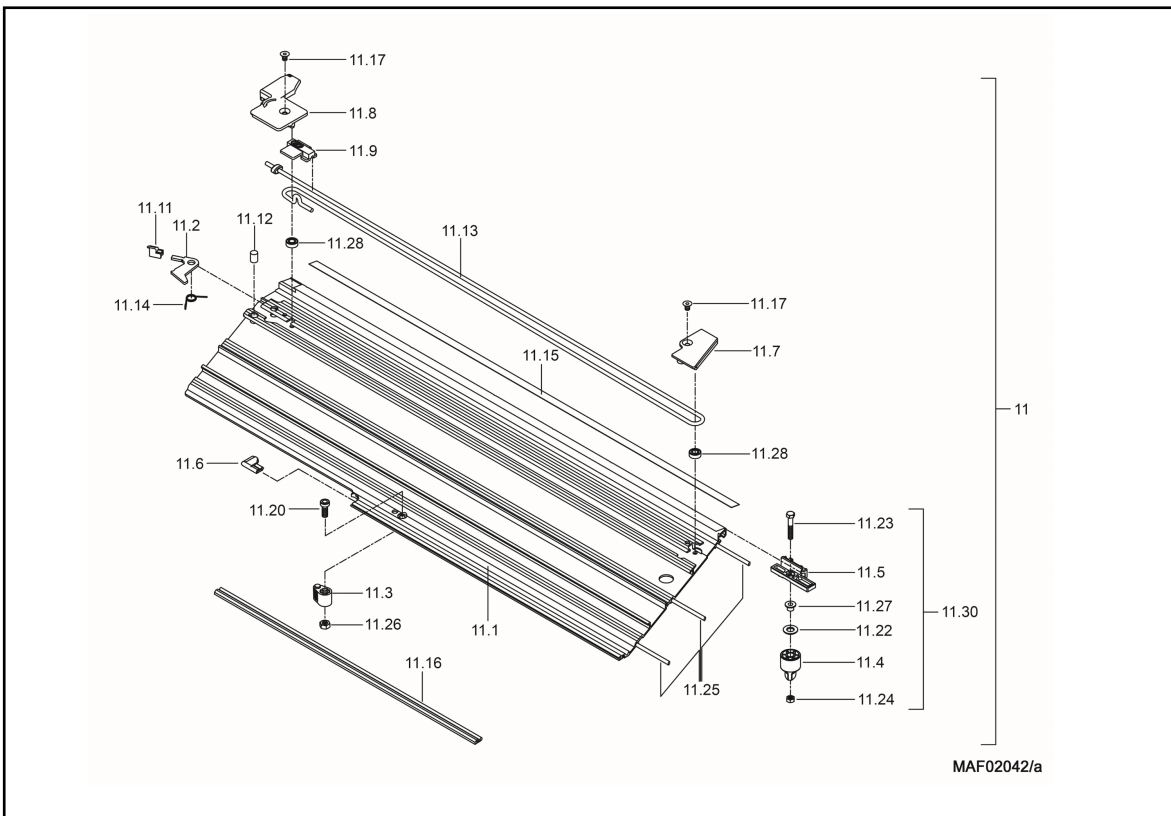
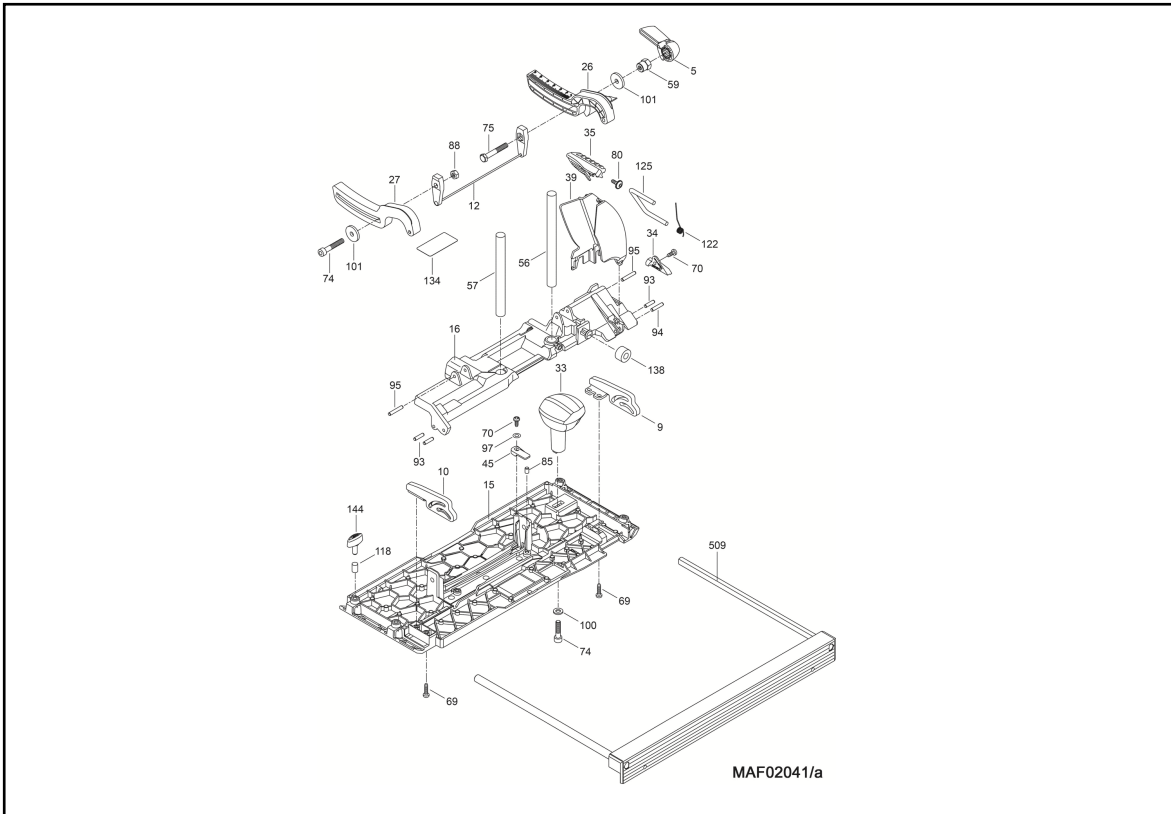
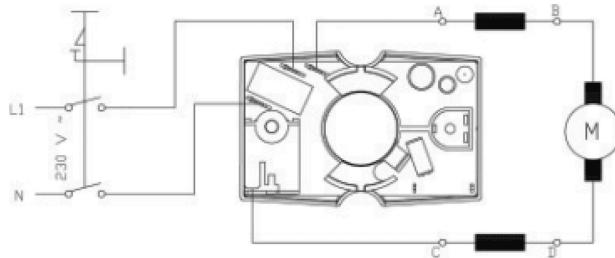


Cross-Cutting System KSS 80 Ec / 370





Schaltbild
Wiring diagram
Schéma électrique
Schema elettrico
Schakelschema
Esquema de conexiones
Kytkentäkaavio
Kopplingschema
Strømskema



MAF02028/a1

hotspot	spare part number	EAN	name of spare part	count	Preis-schlüssel
1	084652	4032689184609	Motor casing with inductor	1	35
1.1	205160	4032689184920	Motor casing	1	24
1.2	084654	4032689184616	Inductor	1	30
2	088222	4032689184623	Armature balanced	1	38
3	205143	4032689184791	Lever joint	1	15
4	205147	4032689184821	Bearing cover	1	17
5	205298	4032689185163	Tensioning lever	1	6
6	077674	4032689187570	Control module	1	28
7	063148	4032689017129	Brush holder	2	8
8	063176	4032689151014	Carbon brush with automatic cut-off	2	11
9	205148	4032689184838	Segment for tilting	1	13
10	205149	4032689184845	Segment for tilting	1	13
11	205310	4032689187884	Guide track as optional accessory	1	43
11.1	205293	4032689187860	Guide track	1	37
11.2	205319	4032689187945	Ratchet	1	6
11.3	204014	4032689150215	Stop bolt	1	5

hotspot	spare part number	EAN	name of spare part	count	Preis-schlüssel
11.4	203988	4032689150369	Stop plate	1	5
11.5	203987	4032689150376	Indicator	1	9
11.6	205317	4032689187921	Edge protection	1	7
11.7	205314	4032689187907	Stop plate	1	5
11.8	205318	4032689187938	Cover	1	7
11.9	203992	4032689150338	Spring guide	1	5
11.11	204007	4032689150246	Handle	1	5
11.12	204009	4032689149929	Stop buffer	1	3
11.13	205157	4032689189161	Polyethylene cable	1	13
11.14	066155	4032689150130	Leg spring	1	3
11.15	205316	4032689187914	Skale	1	8
11.16	204375	4032689158914	Splinter guard F-SS 3,4M	1	99
11.17	053016	4032689088266	Flat-head screw	2	2
11.20	055059	4032689120010	Cylinder-head screw	1	1
11.22	006102	4032689079233	Washer	1	1
11.23	005688	4032689114705	Hexagon-head screw	1	2
11.24	005915	4032689113814	Hexagonal nut	1	1
11.25	204376	4032689158921	Non-slip profile F-HP 6,8 M	1	99
11.26	005939	4032689113852	Hexagonal nut	1	1
11.27	204237	4032689151984	Sleeve	1	5
11.28	062090	4032689136424	Grooved ball bearing	2	9
11.30	205442	4032689171647	Stop plate	1	15
12	205291	4032689185118	clamping unit	1	11
14	205130	4032689184708	Gear casing	1	35
15	205309	4032689187877	Base plate	1	34
16	205128	4032689184685	Tilting support	1	30
17	205139	4032689184753	Protective cover	1	26
20	205161	4032689184937	Push-button	1	8
21	205178	4032689183749	Handle shell	1	10
22	205179	4032689183756	Handle shell	1	11
23	204513	4032689172606	handle shell cover	1	8
24	203877	4032689149097	Handle insert	1	8
25	205159	4032689187631	Motor cover	1	15
26	205167	4032689184982	swivel rail	1	11

hotspot	spare part number	EAN	name of spare part	count	Preis-schlüssel
27	205296	4032689185149	swivel rail	1	9
28	205326	4032689187952	Protective cover	1	19
29	205151	4032689184852	depth setting	1	11
30	205162	4032689184944	Air conducting ring	1	11
31	205169	4032689185002	Cover	1	10
32	205164	4032689184951	Fan	1	8
33	205308	4032689184265	Handle	1	10
34	205155	4032689184890	Panel	1	7
35	205171	4032689185019	Lever	1	7
36	205154	4032689184883	Switch trigger	1	8
37	202357	4032689047522	Insulating plate	2	2
38	206382	4032689188751	Locking lever	1	6
39	205168	4032689184999	Protective disk	1	8
40	205156	4032689184906	Plunge lever handle	1	9
41	205180	4032689185057	push-button	1	8
42	205142	4032689184784	Brake lever	1	7
43	205158	4032689184913	Locking lever	1	7
44	204510	4032689168692	Lock-off button	1	8
45	205292	4032689185125	Indicator	1	5
46	205290	4032689188690	Hose connector	1	10
47	203729	4032689150789	Setting wheel	1	6
49	205138	4032689184746	Riving knife/splitter support	1	14
50	205141	4032689184777	Riving knife/splitter	1	15
51	205152	4032689184869	Clamping lever	1	11
52	205175	4032689185033	Ratchet	1	5
55	202353	4032689016108	Brake drum	1	15
56	205173	4032689183725	Guide column	1	12
57	205174	4032689183732	Guide column	1	11
58	205132	4032689184722	Saw shaft	1	26
59	205294	4032689185132	Shoulder nut	1	5
60	202352	4032689030968	Flange, rear	1	16
61	205172	4032689185026	Shaft axle	1	13
62	202351	4032689031248	Flange disk	1	18
63	205153	4032689184876	Stop plate	1	5

hotspot	spare part number	EAN	name of spare part	count	Preis-schlüssel
66	055111	4032689058382	Cylindrical oval-head screw	1	1
67	055258	4032689160481	Oval-head screw	1	1
68	055257	4032689160573	Oval-head screw	2	1
69	055230	4032689082226	Self-tapping screw	12	1
70	055232	4032689082233	Self-tapping screw	4	1
71	055269	4032689185224	Cylindrical oval-head screw	3	1
72	055234	4032689119984	Cylinder-head screw	1	1
74	055113	4032689120218	Cylinder-head screw	2	1
75	056031	4032689184531	Hexagon-head screw	1	5
76	055236	4032689120416	Cylinder-head screw	1	2
77	055055	4032689119748	Cylinder-head screw	1	1
79	055246	4032689142173	Cylindrical oval-head screw	2	2
80	055264	4032689176796	Oval-head screw	1	1
81	055061	4032689058313	Cylindrical oval-head screw	4	1
82	055139	4032689058252	Cylindrical oval-head screw	1	1
84	052011	4032689139302	Threaded pin	1	3
85	005284	4032689039947	Threaded pin	2	2
86	005210	4032689039787	Threaded pin	1	2
87	005986	4032689115269	Locking nut	1	1
88	059017	4032689189376	hexagon safety nut	1	1
91	058019	4032689120867	cylindrical pin	1	2
92	058229	4032689188706	Spring dowel sleeve	1	1
93	058046	4032689120898	cylindrical pin	3	2
94	058228	4032689188676	cylindrical pin	1	2
95	058225	4032689184548	cylindrical pin	2	2
96	058219	4032689168166	Ribbed pin	1	1
97	066165	4032689170305	Cup spring	1	2
98	061013	4032689079073	Washer	1	1
99	061069	4032689093697	Locking washer	2	1
100	006101	4032689079219	Washer	1	1
101	034208	4032689079783	Washer	2	3
102	061135	4032689088761	Locking washer	1	1
103	006160	4032689067148	Shim ring	1	1
104	006671	4032689010656	Compensating disk	1	1

hotspot	spare part number	EAN	name of spare part	count	Preis-schlüssel
105	006127	4032689067407	Shim ring	1	2
107	061160	4032689094403	Snap ring	2	1
108	061133	4032689089195	Retaining ring	1	3
109	078173	4032689066509	Sealing ring	1	2
110	065064	4032689184555	Sealing ring	1	2
111	065004	4032689066530	Sealing ring	1	1
113	066096	4032689021652	Pressure spring	1	4
114	006645	4032689021867	Pressure spring	1	3
115	066177	4032689188683	Pressure spring	2	2
117	006684	4032689021317	Pressure spring	1	8
118	066043	4032689021393	Pressure spring	5	2
119	066090	4032689118055	Retracting spring	1	4
120	066134	4032689118109	Retracting spring	1	4
121	066092	4032689118260	Retracting spring	1	4
122	066167	4032689184562	Leg spring	1	3
123	066174	4032689184579	Leg spring	1	3
124	066016	4032689098715	Cup spring	1	1
125	205144	4032689184807	Frame	1	4
128	062073	4032689053905	Grooved ball bearing	1	15
129	006268	4032689053455	Grooved ball bearing	1	18
130	006282	4032689053615	Grooved ball bearing	1	16
133	205286	4032689185088	Bowden cable	1	7
134	205297	4032689185156	label selection of saw blades	1	3
135	205289	4032689185101	Rubber buffer	1	3
136	202378	4032689022376	Pressure bit	2	2
138	034209	4032689006055	Stop buffer	1	4
139	205176	4032689185040	Brake lining	1	4
140	205049	4032689168333	hook-and-loop fastener belt	1	3
144	079091	4032689184388	Wing screw	4	5
146	092590	4032689183770	TCT saw blade	1	99
147	086064	4032689048185	Cable protecting sleeve	1	2
148	087862	4032689181790	2-pole switch with lock-off button	1	13
149	205672	4032689181554	Cable clamp	1	3
150	087888	4032689165011	Mains cable with plug	1	21

hotspot	spare part number	EAN	name of spare part	count	Preis-schlüssel
509	205323	4032689185675	Parallel guide fence	1	99
510	093034	4032689115115	Allen key	1	2

contact

MAFELL AG

Beffendorfer Straße 4
D-78727 Oberndorf / Neckar
Germany

Tel.: +49 7423 / 812-114
Fax: +49 7423 812-102
Email: export@mafell.de