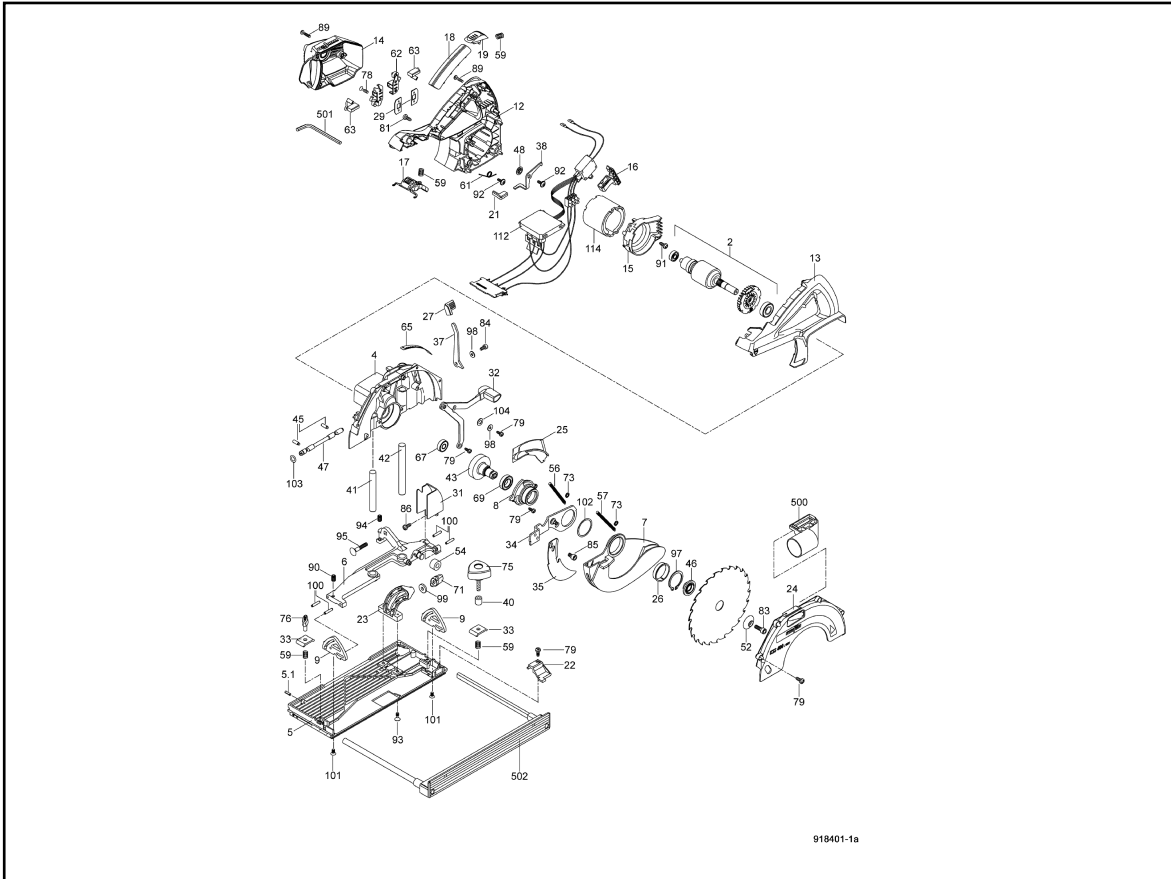
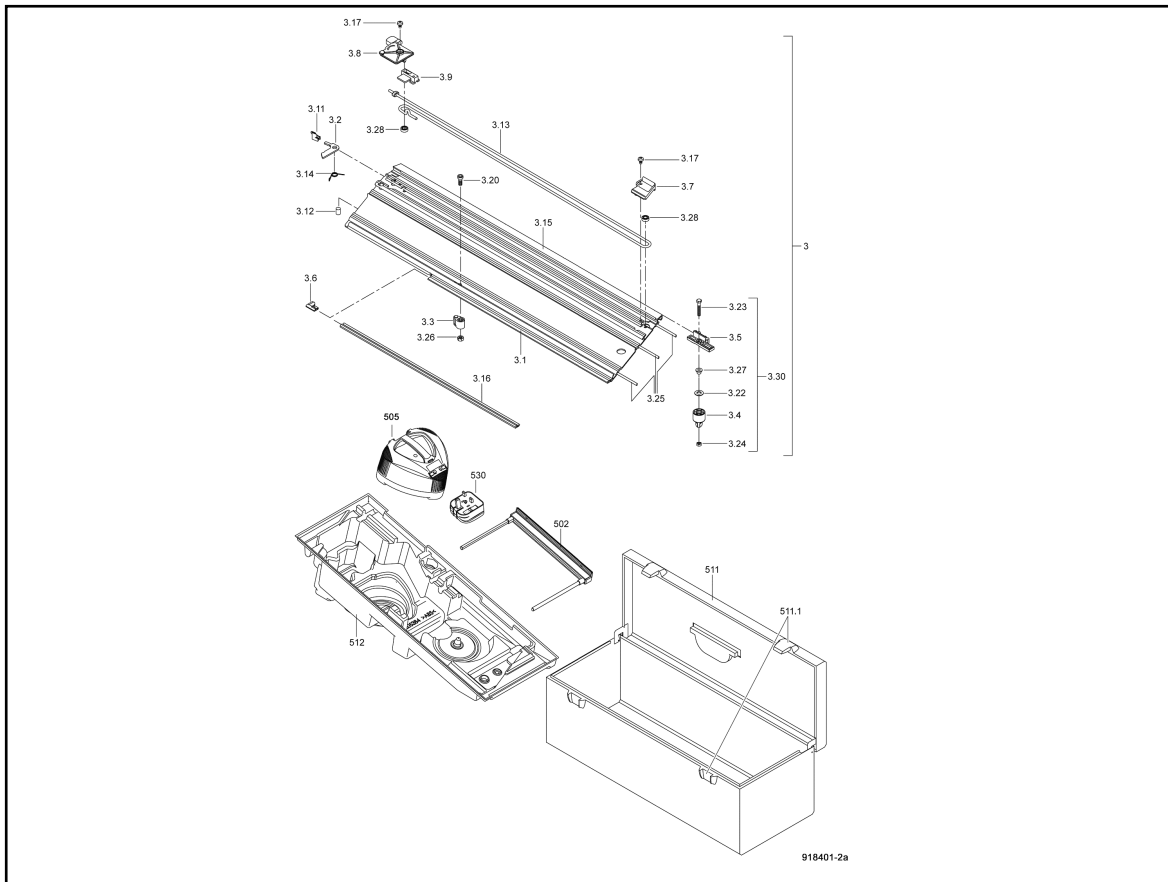


Cross-cutting System KSS 400 / 36 V in carrying case





hotspot	spare part number	EAN	name of spare part	count	Preis-schlüssel
2	088228	4032689183084	Armature	1	36
3	204010	4032689150239	Guide track as optional accessory	1	40
3.1	205500	4032689177236	Guide track	1	37
3.2	203989	4032689150116	Ratchet	1	6
3.3	204014	4032689150215	Stop bolt	1	5
3.4	203988	4032689150369	Stop plate	1	5
3.5	203987	4032689150376	Indicator	1	9
3.6	203986	4032689150390	Edge protection	1	5
3.7	204005	4032689150253	Stop plate	1	5
3.8	203990	4032689150352	Cover	1	5
3.9	203992	4032689150338	Spring guide	1	5
3.11	204007	4032689150246	Handle	1	5
3.12	204009	4032689149929	Stop buffer	1	3
3.13	205586	4032689177199	Polyethylene cable	1	12
3.14	066155	4032689150130	Leg spring	1	3

hotspot	spare part number	EAN	name of spare part	count	Preis-schlüssel
3.15	203993	4032689150109	Skale	1	9
3.16	204375	4032689158914	Splinter guard F-SS 3,4M	1	99
3.17	055187	4032689058238	Cylindrical oval-head screw	2	1
3.20	055059	4032689120010	Cylinder-head screw	1	1
3.22	006102	4032689079233	Washer	1	1
3.23	005688	4032689114705	Hexagon-head screw	1	2
3.24	005915	4032689113814	Hexagonal nut	1	1
3.25	204376	4032689158921	Non-slip profile F-HP 6,8 M	1	99
3.26	005939	4032689113852	Hexagonal nut	1	1
3.27	204237	4032689151984	Sleeve	1	5
3.28	062090	4032689136424	Grooved ball bearing	2	9
3.30	205442	4032689171647	Stop plate	1	15
4	201438	4032689039503	Gear casing	1	33
5	203995	4032689150314	Base plate	1	33
5.1	005816	4032689093031	Spring dowel sleeve	1	1
6	203994	4032689150321	Tilting support	1	27
7	204011	4032689150222	Protective cover	1	25
8	200035	4032689038612	Gear casing cover	1	20
9	203996	4032689150093	Segment	2	11
12	205761	4032689183312	Motor casing	1	24
13	205765	4032689183343	Handle shell	1	15
14	205763	4032689183329	Motor cover	1	14
15	205766	4032689183350	Air conducting ring	1	12
16	205390	4032689183299	Switch trigger	1	8
17	205370	4032689183237	Locking lever	1	7
18	203877	4032689149097	Handle insert	1	8
19	205389	4032689183282	Lock-off button	1	7
21	205767	4032689183367	Push-button	1	6
22	204002	4032689150260	Tracing pointer	1	8
23	203997	4032689150307	Segment for tilting	1	12
24	205768	4032689185668	Protective cover	1	14
25	200078	4032689000480	Cover	1	7
26	200048	4032689047287	Sleeve	1	3
27	202345	4032689051017	Cap	1	5

hotspot	spare part number	EAN	name of spare part	count	Preis-schlüssel
29	201872	4032689102412	Pad	2	2
31	204012	4032689149936	Sheet metal deflector	1	9
32	201442	4032689045269	Lever joint	1	11
33	200050	4032689092478	Clamping claws	2	3
34	201441	4032689090733	Riving knife/splitter support	1	13
35	202580	4032689090337	Riving knife/splitter	1	10
37	201433	4032689050799	Clamping lever	1	5
38	205764	4032689183336	Locking lever	1	9
40	039506	4032689019994	Spacer tube	1	3
41	202435	4032689035161	Guide column, short	1	12
42	202434	4032689035154	Guide column, long	1	13
43	204001	4032689150277	Saw shaft	1	25
45	200034	4032689021256	Pressure bolt	2	4
46	203999	4032689150284	Flange	1	12
47	202433	4032689027494	Eccentric arbor	1	16
48	205376	4032689183855	Washer	1	6
52	203998	4032689150291	Flange	1	12
54	034209	4032689006055	Stop buffer	1	4
56	066090	4032689118055	Retracting spring	1	4
57	066091	4032689118062	Retracting spring	1	4
59	066043	4032689021393	Pressure spring	4	2
61	066172	4032689183046	Leg spring	1	2
62	063148	4032689017129	Brush holder	2	8
63	063173	4032689148892	carbon brush	2	9
65	204003	4032689150086	Skale	1	3
67	006282	4032689053615	Grooved ball bearing	1	16
69	006280	4032689053417	Grooved ball bearing	1	17
71	079078	4032689149134	Wing nut	1	5
73	061069	4032689093697	Locking washer	2	1
75	079079	4032689149141	Handle nut triangular	1	5
76	079082	4032689169187	Wing screw	1	5
78	053020	4032689058146	Counter-sunk oval-head screw	4	1
79	055232	4032689082233	Self-tapping screw	9	1
81	055230	4032689082226	Self-tapping screw	4	1

hotspot	spare part number	EAN	name of spare part	count	Preis-schlüssel
83	055096	4032689120089	Cylinder-head screw	1	1
84	055055	4032689119748	Cylinder-head screw	1	1
85	055234	4032689119984	Cylinder-head screw	2	1
86	055143	4032689058504	Oval-head screw	1	1
89	055061	4032689058313	Cylindrical oval-head screw	6	1
90	005279	4032689039930	Threaded pin	1	2
91	055233	4032689058320	Cylindrical oval-head screw	3	1
92	055264	4032689176796	Oval-head screw	2	1
93	053029	4032689127781	Flat-head screw	2	2
94	005284	4032689039947	Threaded pin	1	2
95	005718	4032689029368	Truss-head screw	1	1
97	061138	4032689089201	Retaining ring	1	2
98	061013	4032689079073	Washer	2	1
99	061172	4032689125701	Washer	1	1
100	058046	4032689120898	cylindrical pin	4	2
101	053031	4032689150956	Flat-head screw	4	1
102	061167	4032689078908	Washer	1	2
103	065042	4032689066653	Sealing ring	1	1
104	066093	4032689098821	Cup spring	1	2
112	205367	4032689183220	Electronic module	1	31
114	077093	4032689183053	Pole shoe	1	20
500	200042	4032689001425	Hose connector	1	13
501	093034	4032689115115	Allen key	1	2
502	201436	4032689067131	Parallel guide fence	1	23
505	094408	4032689149431	Power-Station APS	1	34
511	095093	4032689186085	Carrying case	1	35
511.1	095094	4032689188508	plastic lock with key	2	11
512	205384	4032689183879	Plastic tray	1	23
530	078269	4032689149592	Adapter for plug	1	11

contact

MAFELL AG

Beffendorfer Straße 4
D-78727 Oberndorf / Neckar
Germany

Tel.: +49 7423 / 812-114
Fax: +49 7423 812-102
Email: export@mafell.de