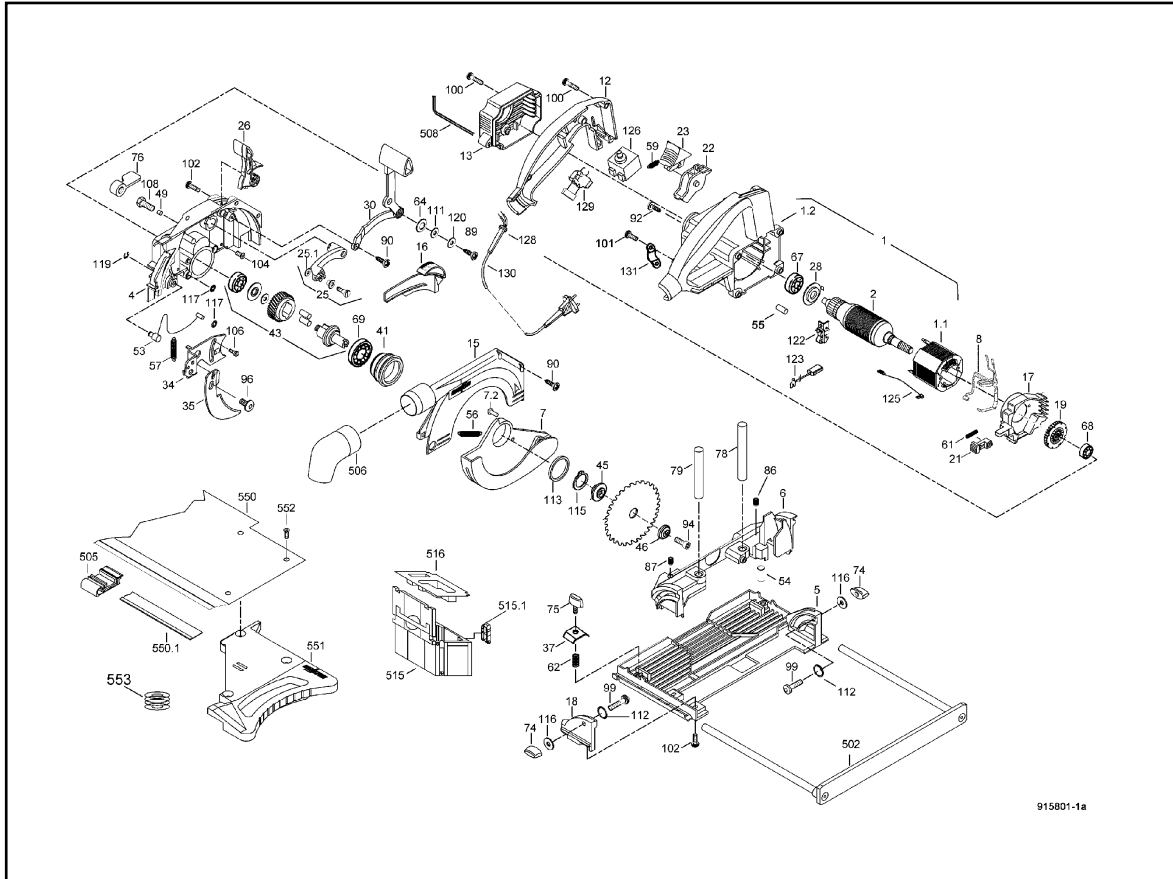
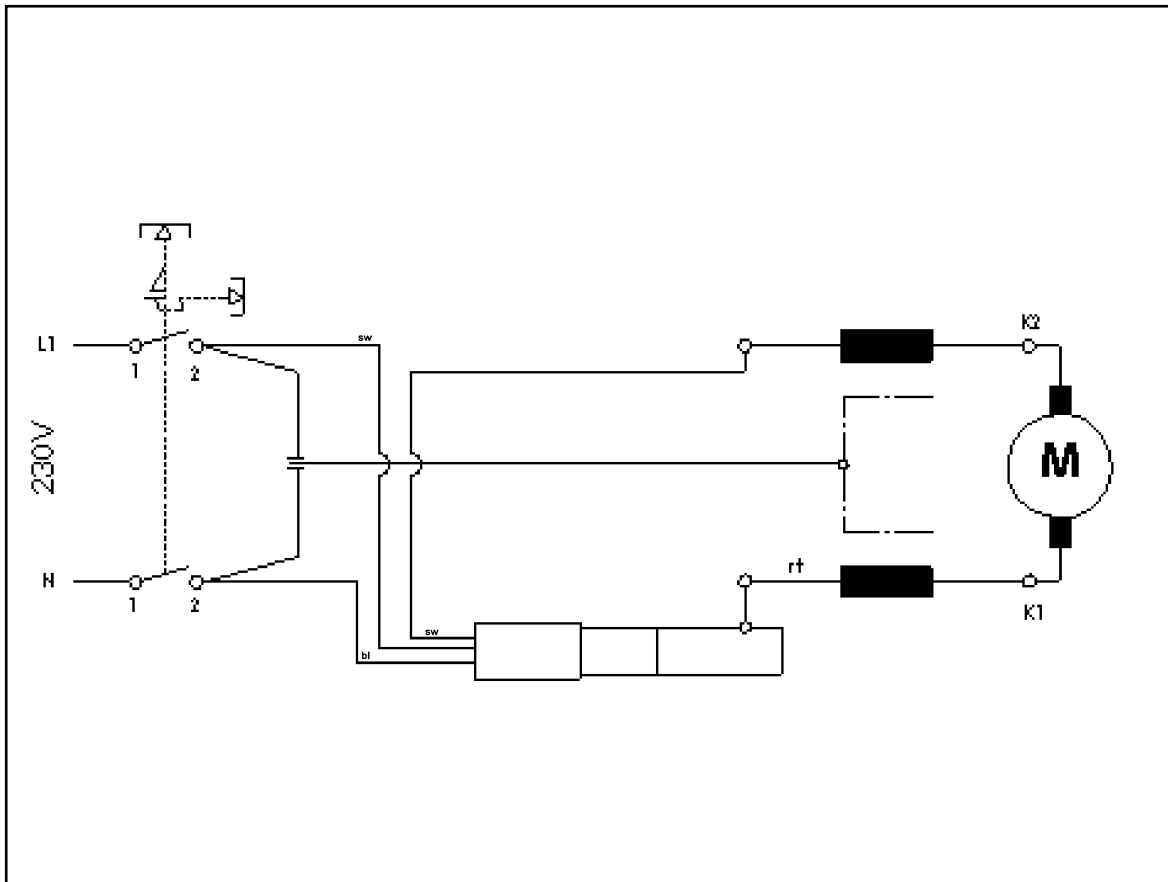


KSP 40 Flexistem in the MAFELL-MAX





| hotspot | spare part number | EAN | name of spare part | count | Preis-schlüssel |
|---------|-------------------|---------------|----------------------------|-------|-----------------|
| 1 | 084548 | 4032689142760 | Motor casing with inductor | 1 | 30 |
| 1.1 | 084547 | 4032689142470 | Inductor with coil | 1 | 25 |
| 1.2 | 203196 | 4032689143064 | Motor casing, empty | 1 | 20 |
| 2 | 088169 | 4032689142449 | Armature, balanced | 1 | 31 |
| 4 | 203185 | 4032689142982 | Gear casing | 1 | 31 |
| 5 | 203174 | 4032689142883 | Base plate | 1 | 26 |
| 6 | 203172 | 4032689142869 | Tilting support | 1 | 24 |
| 7 | 203170 | 4032689142845 | Protective cover | 1 | 22 |
| 7.2 | 058068 | 4032689048840 | Ribbed nail | 1 | 1 |
| 8 | 077174 | 4032689177991 | Control module | 1 | 20 |
| 12 | 203190 | 4032689143033 | Handle shell | 1 | 12 |
| 13 | 203189 | 4032689143026 | Motor cover | 1 | 8 |
| 15 | 203178 | 4032689142920 | Protective cover | 1 | 12 |
| 16 | 203179 | 4032689142937 | Cover | 1 | 9 |
| 17 | 203184 | 4032689142975 | Air conducting ring | 1 | 7 |
| 18 | 203183 | 4032689142968 | Bearing block | 1 | 7 |

| hotspot | spare part number | EAN | name of spare part | count | Preis-schlüssel |
|---------|-------------------|---------------|-------------------------------|-------|-----------------|
| 19 | 203182 | 4032689142951 | Fan | 1 | 7 |
| 21 | 203181 | 4032689142944 | Locking bolt | 1 | 5 |
| 22 | 203188 | 4032689143019 | Switch trigger | 1 | 6 |
| 23 | 203187 | 4032689143002 | Lock-off button | 1 | 6 |
| 25 | 204546 | 4032689159546 | Lever | 1 | 13 |
| 25.1 | 061069 | 4032689093697 | Locking washer | 1 | 1 |
| 26 | 203177 | 4032689142913 | Lever | 1 | 6 |
| 28 | 203169 | 4032689142418 | Centrifugal disk | 1 | 4 |
| 30 | 203193 | 4032689143040 | Lever joint | 1 | 12 |
| 34 | 203164 | 4032689142791 | Riving knife/splitter support | 1 | 10 |
| 35 | 203165 | 4032689142807 | Riving knife/splitter | 1 | 7 |
| 37 | 200050 | 4032689092478 | Clamping claws | 2 | 3 |
| 41 | 203168 | 4032689142838 | Bearing cover | 1 | 13 |
| 43 | 203813 | 4032689146645 | Gear shaft, cpl. | 1 | 28 |
| 45 | 203167 | 4032689142821 | Flange, rear | 1 | 11 |
| 46 | 203166 | 4032689142814 | Flange, front | 1 | 10 |
| 49 | 203783 | 4032689144535 | Clamping bolt | 1 | 3 |
| 53 | 203194 | 4032689143057 | Bowden cable, cpl. | 1 | 7 |
| 54 | 203207 | 4032689133683 | Stop buffer | 1 | 3 |
| 55 | 075140 | 4032689047621 | Insulating tube | 1 | 3 |
| 56 | 066150 | 4032689143736 | Retracting spring | 1 | 4 |
| 57 | 066151 | 4032689143743 | Retracting spring | 1 | 3 |
| 59 | 006634 | 4032689129815 | Retracting spring | 1 | 2 |
| 61 | 006657 | 4032689021843 | Pressure spring | 1 | 1 |
| 62 | 066043 | 4032689021393 | Pressure spring | 2 | 2 |
| 64 | 006660 | 4032689098661 | Cup spring | 1 | 2 |
| 67 | 062010 | 4032689053608 | Grooved ball bearing | 1 | 16 |
| 68 | 006294 | 4032689053394 | Grooved ball bearing | 1 | 15 |
| 69 | 062082 | 4032689053400 | Grooved ball bearing | 1 | 15 |
| 74 | 076959 | 4032689031484 | Wing nut | 2 | 5 |
| 75 | 071011 | 4032689142753 | Wing screw | 2 | 5 |
| 76 | 039413 | 4032689091938 | Tensioning lever | 1 | 5 |
| 78 | 058206 | 4032689142722 | cylindrical pin | 1 | 3 |
| 79 | 058207 | 4032689142739 | cylindrical pin | 1 | 3 |

| hotspot | spare part number | EAN | name of spare part | count | Preis-schlüssel |
|---------|-------------------|---------------|-------------------------------------|-------|-----------------|
| 86 | 005279 | 4032689039930 | Threaded pin | 1 | 2 |
| 87 | 005284 | 4032689039947 | Threaded pin | 1 | 2 |
| 89 | 055068 | 4032689058511 | Oval-head screw | 1 | 1 |
| 90 | 055232 | 4032689082233 | Self-tapping screw | 3 | 1 |
| 92 | 055230 | 4032689082226 | Self-tapping screw | 4 | 1 |
| 94 | 055202 | 4032689119809 | Cylinder-head screw | 1 | 1 |
| 96 | 053019 | 4032689058498 | Oval-head screw | 1 | 1 |
| 99 | 057002 | 4032689029245 | Truss-head screw | 2 | 1 |
| 100 | 055061 | 4032689058313 | Cylindrical oval-head screw | 4 | 1 |
| 101 | 055246 | 4032689142173 | Cylindrical oval-head screw | 2 | 2 |
| 102 | 055233 | 4032689058320 | Cylindrical oval-head screw | 3 | 1 |
| 104 | 053024 | 4032689088013 | Flat-head screw | 2 | 2 |
| 106 | 055250 | 4032689144450 | Shoulder screw | 1 | 2 |
| 108 | 056025 | 4032689142715 | Hexagon-head screw | 1 | 4 |
| 111 | 061013 | 4032689079073 | Washer | 1 | 1 |
| 112 | 061177 | 4032689130507 | Shim ring | 2 | 1 |
| 113 | 006132 | 4032689142692 | Washer | 1 | 1 |
| 115 | 071007 | 4032689142746 | Retaining ring | 1 | 2 |
| 116 | 006100 | 4032689078946 | Washer | 2 | 1 |
| 117 | 061069 | 4032689093697 | Locking washer | 3 | 1 |
| 119 | 061106 | 4032689088686 | Locking washer | 1 | 1 |
| 120 | 006184 | 4032689088679 | Locking washer | 1 | 1 |
| 122 | 063160 | 4032689132631 | Brush holder | 2 | 7 |
| 123 | 063164 | 4032689132709 | Carbon brush with automatic cut-off | 2 | 11 |
| 125 | 085187 | 4032689177984 | Connecting cable | 2 | 2 |
| 126 | 087851 | 4032689142777 | 2-pole switch | 1 | 11 |
| 128 | 086064 | 4032689048185 | Cable protecting sleeve | 1 | 2 |
| 129 | 087879 | 4032689159447 | Interference suppression capacitor | 1 | 9 |
| 130 | 087323 | 4032689007199 | Mains cable 4 m (13.1 ft) | 1 | 21 |
| 131 | 205830 | 4032689185200 | Cable clamp | 1 | 4 |
| 502 | 203180 | 4032689143774 | Parallel guide fence | 1 | 21 |
| 505 | 203773 | 4032689144511 | Clamping claws | 2 | 9 |
| | | | | | |

| hotspot | spare part number | EAN | name of spare part | count | Preis-schlüssel |
|---------|-------------------|---------------|------------------------------|-------|-----------------|
| 506 | 203782 | 4032689144542 | Hose connector | 1 | 12 |
| 508 | 093074 | 4032689115146 | Allen key | 1 | 2 |
| 515 | 095042 | 4032689123455 | Carrying case MAFELL-MAX | 1 | 28 |
| 515.1 | 095074 | 4032689159478 | latch | 4 | 6 |
| 516 | 095067 | 4032689143729 | Plastic tray | 1 | 10 |
| 550 | 203796 | 4032689145259 | Flexi-Guide rail FX 140 | 1 | 36 |
| 550.1 | 203633 | 4032689144481 | Splinter guard | 1 | 8 |
| 551 | 203771 | 4032689144504 | Handle | 1 | 14 |
| 552 | 005397 | 4032689087719 | Flat-head self-tapping screw | 3 | 1 |
| 553 | 065050 | 4032689146652 | Sealing ring | 4 | 1 |

contact

MAFELL AG

Beffendorfer Straße 4
D-78727 Oberndorf / Neckar
Germany

Tel.: +49 7423 / 812-114
Fax: +49 7423 812-102
Email: export@mafell.de