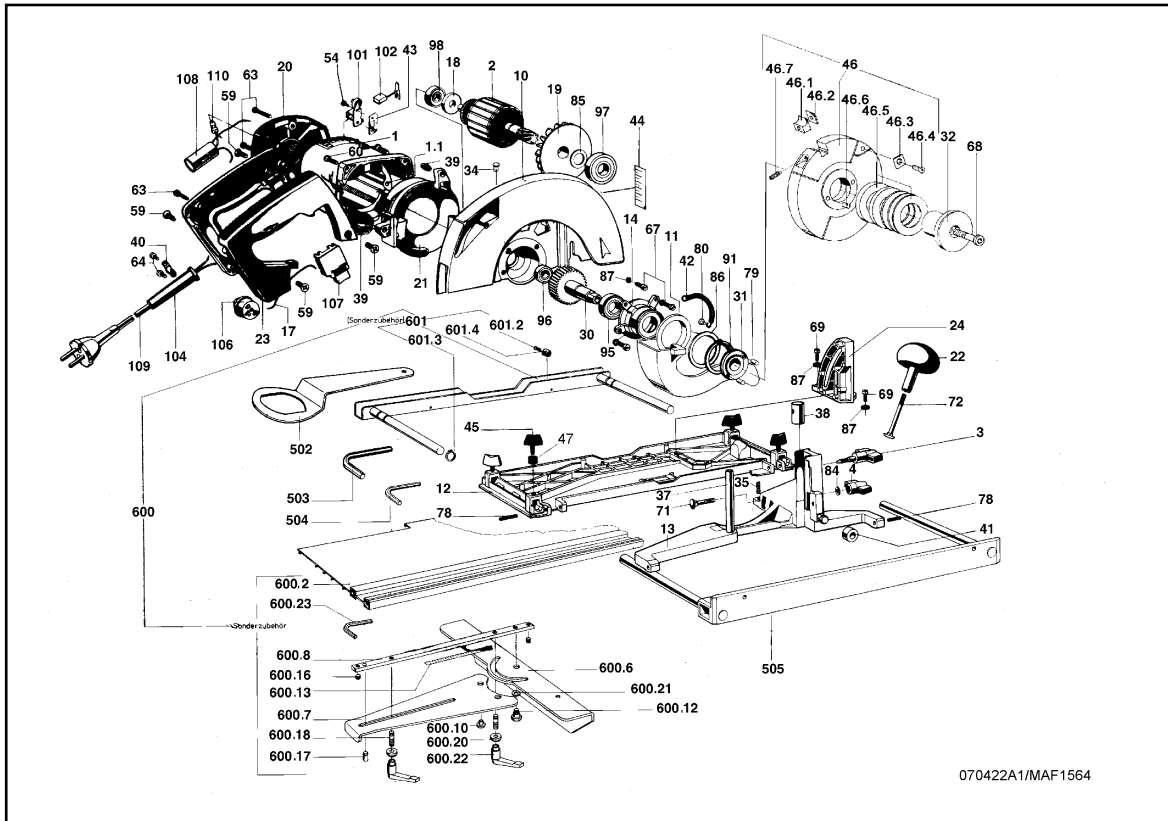


Groove-Cutting Machine NFU 32



hotspot	spare part number	EAN	name of spare part	count	Preis-schlüssel
1	039712	4032689063966	Motor casing	1	26
1.1	084352	4032689060392	Inductor with coil	1	33
2	088113	4032689003306	Armature, balanced	1	42
3	007991	4032689031644	Wing screw	1	7
4	007996	4032689031514	Wing nut	1	5
10	201535	4032689039381	Gear casing	1	44
11	201533	4032689084015	Protective cover	1	28
12	037144	4032689042091	Base plate	1	30
13	034722	4032689045818	Vertical guideway	1	25
14	201536	4032689055701	Bearing cover	1	19
17	027056	4032689103020	Connecting cable	1	3
18	033011	4032689079776	Washer	1	3
19	032355	4032689059518	Fan, upper	1	10
20	037202	4032689062891	Motor cover	1	13

hotspot	spare part number	EAN	name of spare part	count	Preis-schlüssel
21	034729	4032689059716	Air conducting ring	1	13
22	034730	4032689067841	Mushroom-shaped handle	1	8
23	038414	4032689041643	Handle shells (pair)	1	18
24	034888	4032689086415	Segment for tilting	1	12
30	039542	4032689076171	Saw shaft	1	31
31	201538	4032689030906	Flange, rear	1	21
32	201537	4032689031408	Flange, front	1	21
34	035129	4032689015217	Bolt	1	8
35	005280	4032689039909	Threaded pin	1	1
37	034737	4032689033914	Guide bolt	1	7
38	029533	4032689093277	Clamping piece	1	4
39	029513	4032689024943	Insertion nut	2	3
40	029584	4032689048031	Cable clamp	1	2
41	034209	4032689006055	Stop buffer	1	4
42	034739	4032689117980	Retracting spring	1	3
43	201872	4032689102412	Pad	2	2
44	077068	4032689089492	Skale	1	8
45	079077	4032689147826	Wing screw	4	5
46	091418	4032689105949	Expanding grooving cutter with reversible knives	1	99
46.1	091411	4032689091167	Clamping bars, cpl.	4	18
46.2	201544	4032689107165	Reversible TCT knife (4 pieces required)	4	99
46.3	034907	4032689106342	Reversible knives TCT	4	99
46.4	053032	4032689153001	Flat-head screw	4	3
46.5	091479	4032689020143	Spacer disks (set)	1	27
46.6	005874	4032689093123	Spring dowel sleeve	2	1
46.7	005298	4032689040158	Threaded pin	4	2
47	066043	4032689021393	Pressure spring	4	2
54	053020	4032689058146	Counter-sunk oval-head screw	4	1
59	055102	4032689058566	Oval-head screw	4	1
60	055086	4032689058481	Cylindrical oval-head screw	4	1
63	055061	4032689058313	Cylindrical oval-head screw	4	1
64	055062	4032689058108	Self-tapping oval-head screw	2	1

hotspot	spare part number	EAN	name of spare part	count	Preis-schlüssel
67	005542	4032689119779	Cylinder-head screw	4	1
68	055074	4032689120454	Cylinder-head screw	1	1
69	055024	4032689119816	Cylinder-head screw	2	1
71	005718	4032689029368	Truss-head screw	1	1
72	005796	4032689029344	Truss-head screw	1	2
78	058089	4032689094052	Spiral dowel sleeve	2	1
79	058185	4032689121048	cylindrical pin	2	2
80	058068	4032689048840	Ribbed nail	1	1
84	061044	4032689079080	Washer	1	1
85	006160	4032689067148	Shim ring	1	1
86	061067	4032689067414	Shim ring	1	1
87	006179	4032689088693	Locking washer	6	1
91	061068	4032689089126	Retaining ring	1	3
95	006231	4032689053493	Grooved ball bearing	1	18
96	006234	4032689053646	Grooved ball bearing	1	15
97	006260	4032689053769	Grooved ball bearing	1	18
98	062073	4032689053905	Grooved ball bearing	1	15
101	063148	4032689017129	Brush holder	2	8
102	063147	4032689051895	Carbon brush with automatic cut-off	2	11
104	086064	4032689048185	Cable protecting sleeve	1	2
106	087409	4032689064314	Motor overload protection switch	1	21
107	087542	4032689108568	2-pole switch with lock-off button	1	17
108	087383	4032689097466	Interference suppression capacitor	1	12
109	087323	4032689007199	Mains cable 4 m (13.1 ft)	1	21
110	008747	4032689026145	Contact clip	1	2
502	093247	4032689073231	Ring spanner	1	11
503	093081	4032689115160	Allen key	1	2
504	093074	4032689115146	Allen key	1	2
505	034890	4032689066929	Parallel guide fence	1	27
600	201546	4032689034065	Guide track as optional accessory	1	99
600.2	201548	4032689034447	Guide track, cpl.	1	37
600.6	201541	4032689006864	Stop angle	1	23

hotspot	spare part number	EAN	name of spare part	count	Preis-schlüssel
600.7	201542	4032689005423	Metal sheet stop	1	20
600.8	201543	4032689051178	Clamping strip	1	21
600.10	201545	4032689033983	Guide bolt	2	7
600.12	039448	4032689004952	Shoulder screw	1	6
600.13	077069	4032689108025	Angle scale	1	10
600.16	005274	4032689039862	Threaded pin	2	2
600.17	058126	4032689120737	cylindrical pin	1	1
600.18	057037	4032689097107	Set screw	2	8
600.20	201164	4032689092614	Clamping disk	2	9
600.21	007164	4032689020082	Spacer disk	1	1
600.22	007194	4032689050829	Clamping lever	2	12
600.23	093245	4032689115191	Allen key	1	1
601	038096	4032689002668	Adapter	1	99
601.2	053026	4032689087900	Flat-head screw	2	1
601.3	006173	4032689088907	Retaining ring	2	1
601.4	202256	4032689051369	Clamping device	2	3

contact

MAFELL AG

Beffendorfer Straße 4
D-78727 Oberndorf / Neckar
Germany

Tel.: +49 7423 / 812-114
Fax: +49 7423 812-102
Email: export@mafell.de